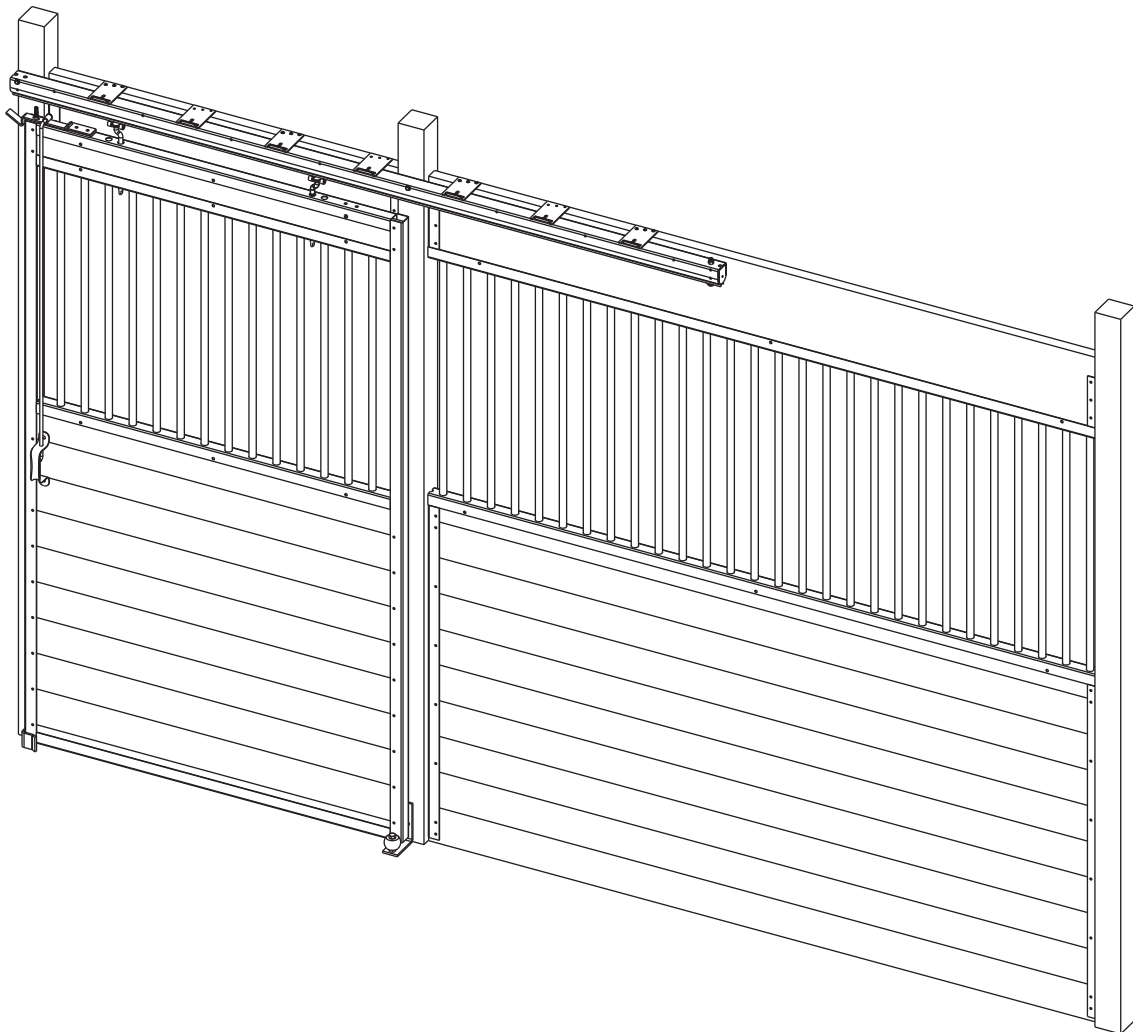




Oxford Stalls

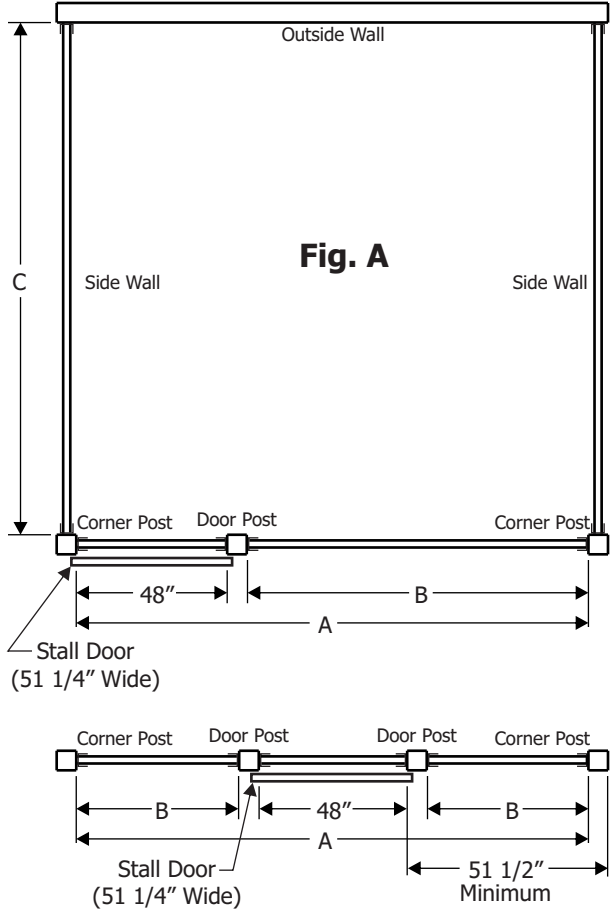
(Welded)

Installation Instructions



Before You Start

- Typical stall sizes are 10' x 10', 12' x 12' or 10' x 12', but virtually any size can be built using the stall system.
- Make sure to plan for additions to your stable ahead of time.
- All measurements are based on finished wood sizes. (Example: 2" x 6" = 1 1/2" x 5 1/2")
- Tongue & groove boards are recommended for filler wood. Account for loss of height due to tongue & groove.
- Pressure treated wood is recommended for posts and bottom two boards of the stall fronts and partitions.
- Posts may be 4x4, 4x6 or 6x6. If top of posts are not going to be anchored then a sufficient amount of post should be placed deep enough in the footing to provide adequate holding power (3' depth recommended).
- Corner posts can be set 10' or 12' (or any other spacing as desired) to fit building design or special needs.
- The inside distance between the door posts (See Fig. A) must be 48".
- Install the corner posts first followed by the door posts. Make sure all posts are plumb, true and level.
- The grill length (See dimension B in Fig. A) of a standard 10' stall front is 65" and 91" for a 12' stall front. However, grill sections can be combined or cut down to create any size of stall front you desire.
- For stall fronts with a center door, equally space the two center door posts from both corner posts. Be sure to maintain the 48" opening between the door posts. It is recommended to have a minimum of 51 1/2" from door post to corner post to allow the door to completely clear the door opening when in the open position. For stall fronts less than 12', one side of the front will be longer than the other to allow the door to completely clear the door opening in the open position.
- Wall sections that span over 12' long will require a 4x4 center support post.
- Drilling pilot holes is recommended to prevent splitting of wood.

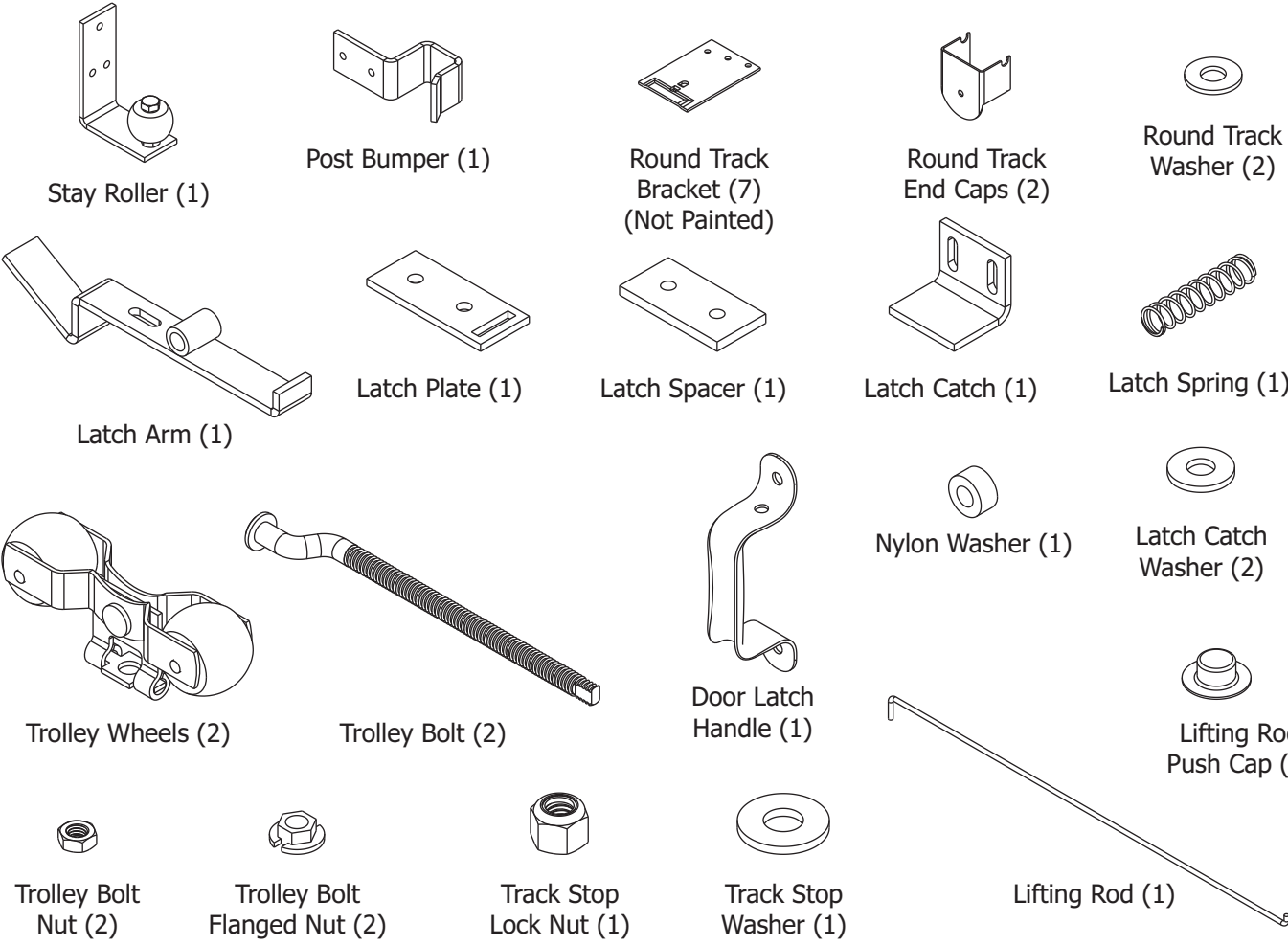


Center Door Stall Front Formula

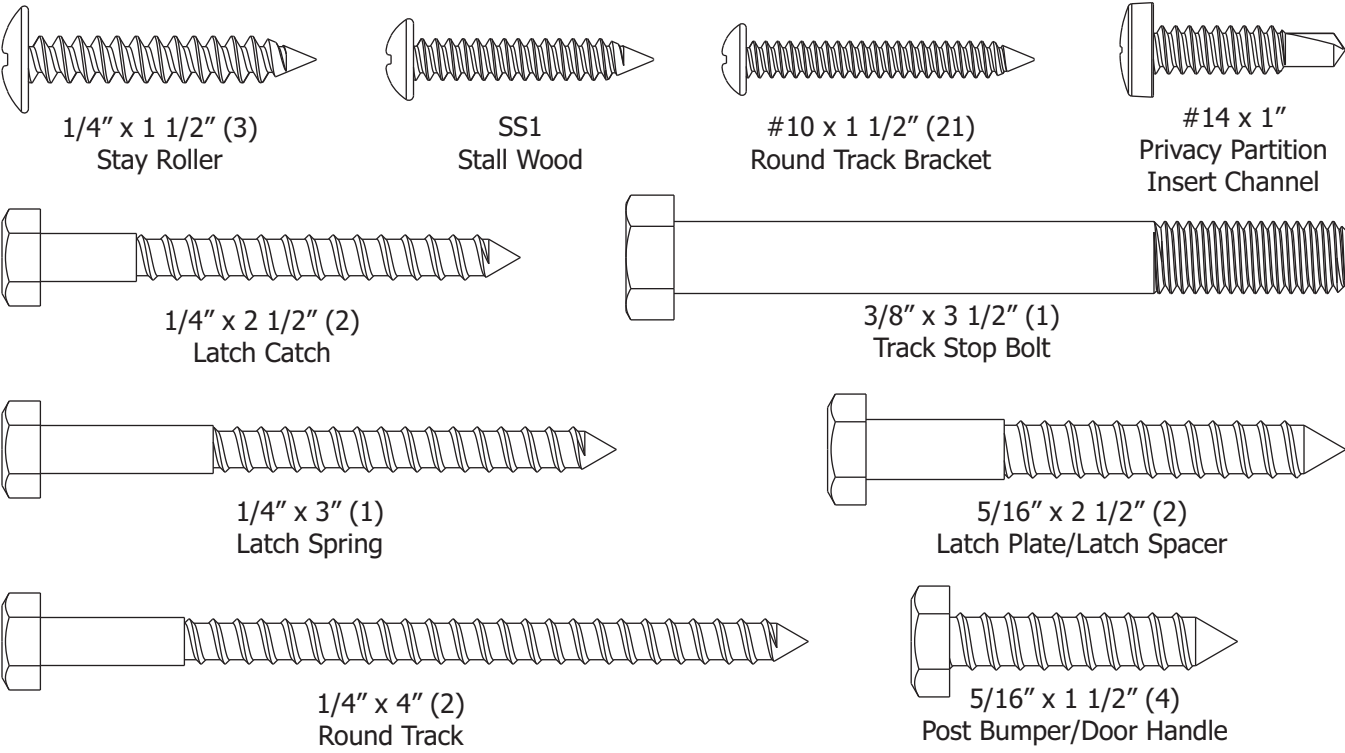
"A" - 48" - (2) post widths ÷ 2 = "B"
 (Example: 144 - 48 - 3 1/2 - 3 1/2 ÷ 2 = 44 1/2)

Wood Specifications for RAMM Oxford Stalls			
SECTION	10 FT. STALL	12 FT. STALL	14 FT. STALL
Front Walls	(10) 2" x 6" x 10'	(10) 2" x 6" x 12'	(10) 2" x 6" x 14'
Header Board	(1) 2" x 12" x 10'	(1) 2" x 12" x 12'	(1) 2" x 12" x 14'
Grill Partitions	(10) 2" x 6" x 10'	(10) 2" x 6" x 12'	(10) 2" x 6" x 14'
Header Board	(1) 2" x 12" x 10'	(1) 2" x 12" x 12'	(1) 2" x 12" x 14'
Solid Partitions	(18) 2" x 6" x 10'	(18) 2" x 6" x 12'	(18) 2" x 6" x 14'
Posts*	4x4 4x6 6x6	(3) Needed per stall system except when stalls are added next to each other. (4) Needed per center door stall system except when stalls are added next to each other. * See Fig. A above	

Part Identification

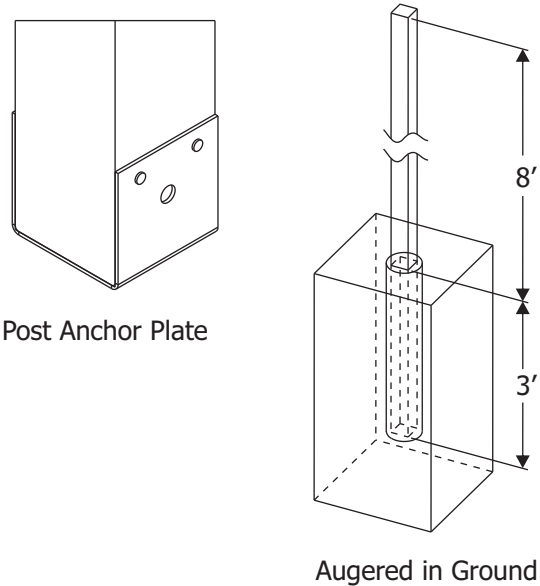



(Screws shown actual size)

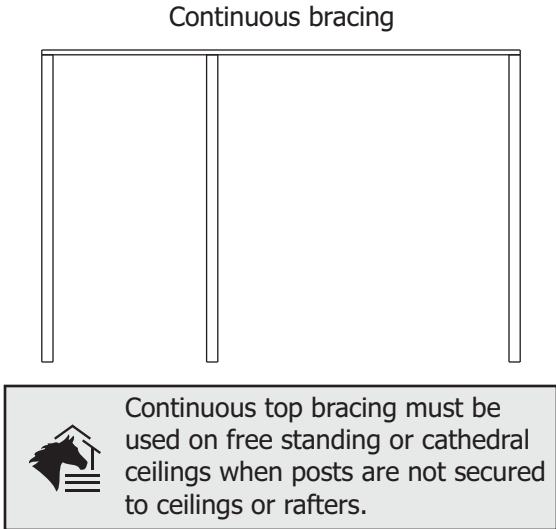


Post Installation

Posts can be installed in several ways. The most common is to auger into the ground or using post anchoring plates to a concrete base.



 When you auger posts, all posts should be installed with the top at least 8' above the ground.

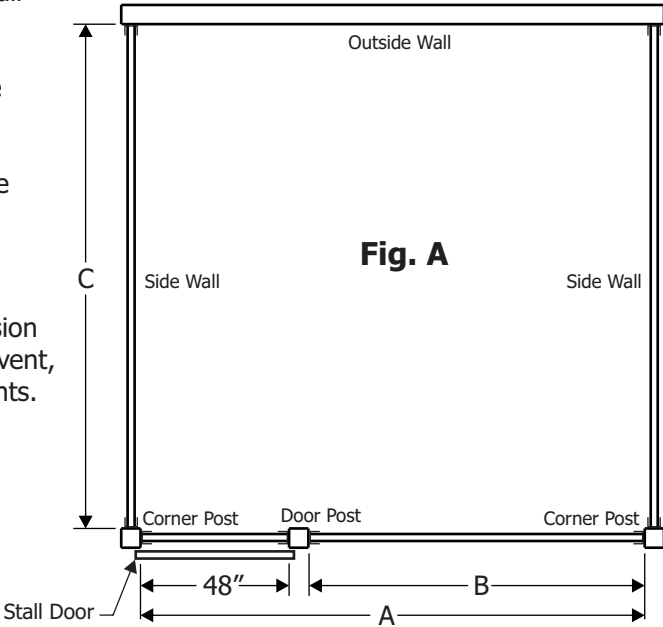



1. Refer to Fig. A to determine post locations for your stall size.
2. Install corner posts first. Be careful to stay within the dimensions A and C per the chart.
3. Install door post 48" from corner post with a tolerance of +/- 1/4".

NOTE: Check all posts for level, square and plumb.

4. Dimension B should be treated as the variable dimension if a problem with post location should arise. In this event, it may be necessary to cut some of the grill components.

Stall Dimensions using 4x4 (3-1/2" x 3-1/2") Posts		
Dimension	10' Stall Front	12' Stall Front
A	116 1/2"	142 1/2"
B	65"	91"
C	120"	144"



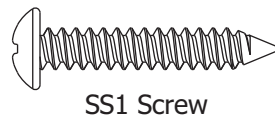
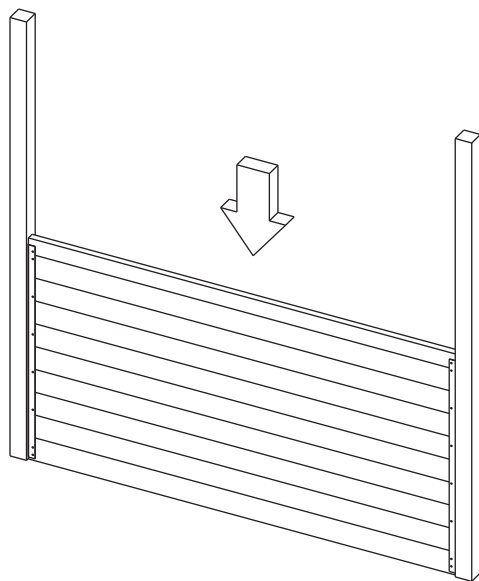
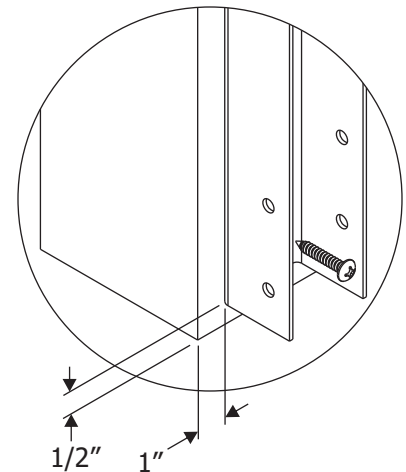
 **CHECK FOR SQUARE:** Measure from one corner diagonally to the opposite corner (top left to bottom right) and repeat for the other corner. Measurements should be the same. If they are not, tap the corner of the longest measurement until you have two equal measurements. This will ensure your work is square.

Stall Front Assembly

Place 46 1/2" U-channels 1" from front face of posts and 1/2" above floor on corner and door posts.

Check that channels are level and plumb.

Fasten with provided SS1 screws through holes in channel.



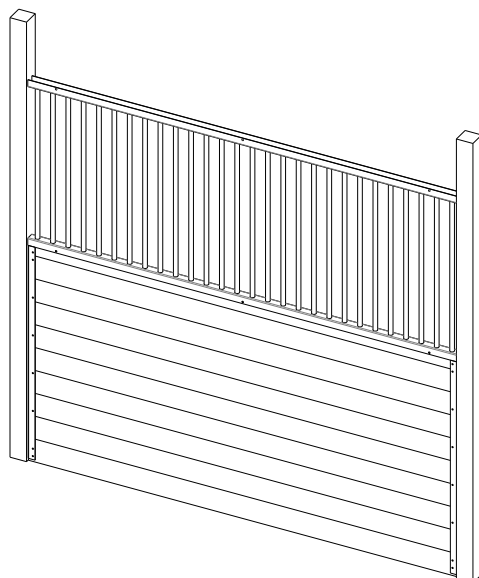
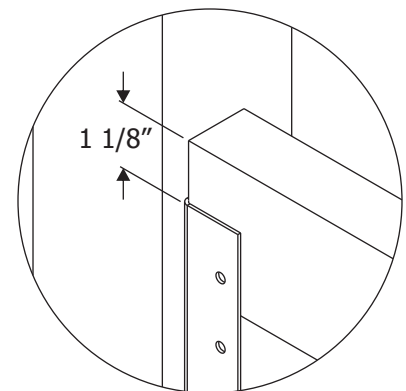
SS1 Screw

Cut lumber 1/4" to 3/8" less than the distance measured between the inside faces of the U-channel.

Slide first board down to the bottom of the U-channel ensuring that it is level. Pressure treated lumber can be used for the bottom of the stall wall. When using pressure treated lumber, proper coated screws must be used.

Secure bottom board with provided SS1 screws before installing the remaining boards.

Install remaining boards ensuring the last board is 1 1/8" above the U-channels. It may be necessary to rip a board to achieve the correct height.



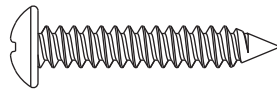
Fit the grillwork section over the last board so it rests on top of the U-channel ends.

Stall Front Assembly (cont.)

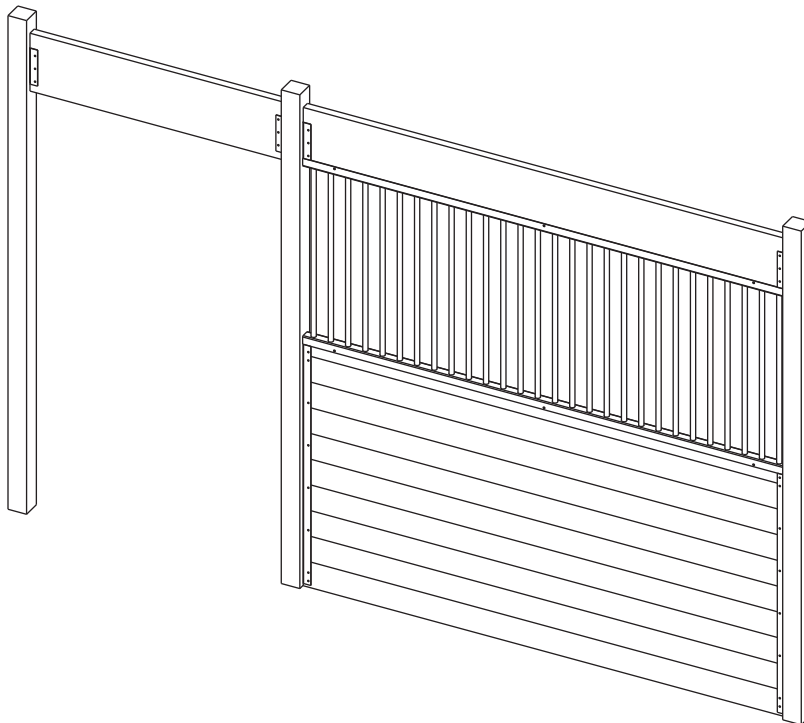
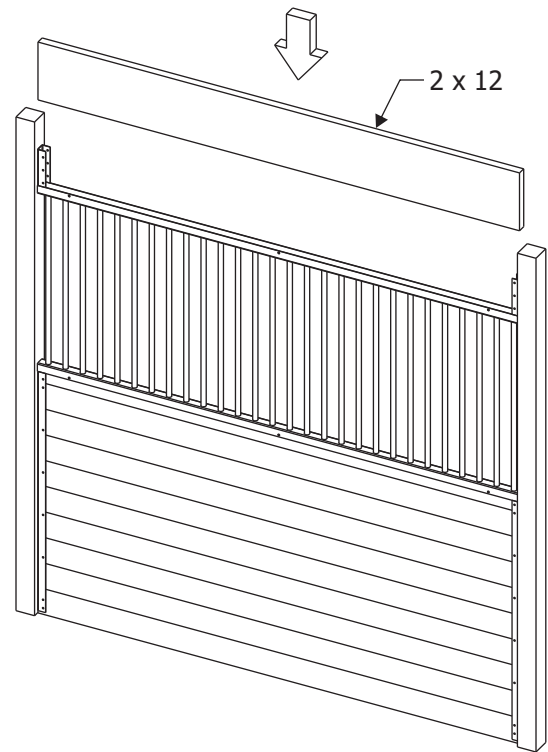
Place 7" U-channels against posts flush with the top of grillwork and fasten to posts with provided SS1 screws.

Slide 2 x 12 board into 7" U-channels and push down into top channel of grillwork.

Install SS1 screws through holes in U-channels securing all boards.



SS1 Screw



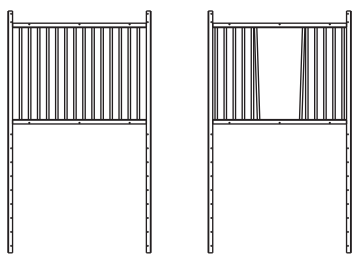
Install two 7" U-channels in the door opening aligning them with the 7" U-channels in the front.
(Measure from top of post to top of 7" U-channel.)

Fasten to posts with SS1 screws.

Insert 2x12 header board, align with top of 2x12 in front and fasten to the U-channels with SS1 screws.

Stall Door Assembly

The door comes almost completely assembled except for the wood.



Grill Top

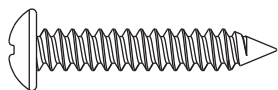
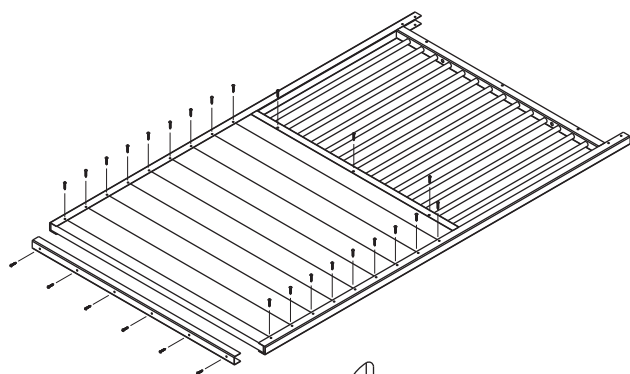
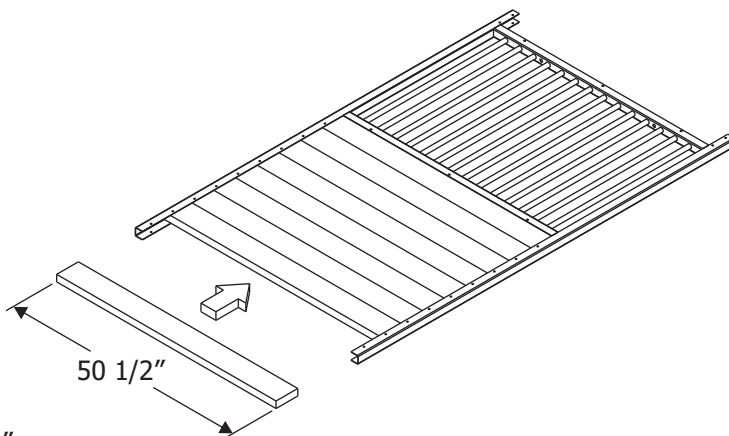
V-Door

Cut lumber to 50 1/2". The number of pieces will vary depending on the material used.

Slide first piece inside the channels up from the bottom until it seats inside the bottom of the grill section.

NOTE: Make sure the first piece has a flat square top. DO NOT insert screws at this time.

Insert the remaining lumber and fill to the bottom of the door. The bottom piece may need to be trimmed to fit. The bottom piece should be inset from the bottom edge of channel approximately 1/8".



SS1 Screw

Insert bottom channel over last piece of lumber so it is flush with bottom of U-channels. Use a rubber mallet and block of wood if necessary so not to damage channel.

Fasten with provided SS1 screws up through holes in bottom of channel.

Secure boards through holes running along the sides of the U-channel and bottom of the grill section with SS1 screws.



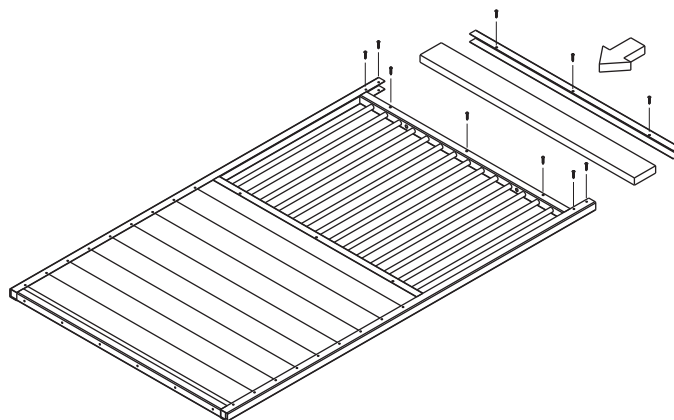
Only put screws on front or outside of stall door.

Insert a 5 1/2" x 50 1/2" (2 x 6) piece of lumber into the top channels.

Tap into place until top edge of board is approximately 1/8" inset from edge of channel.

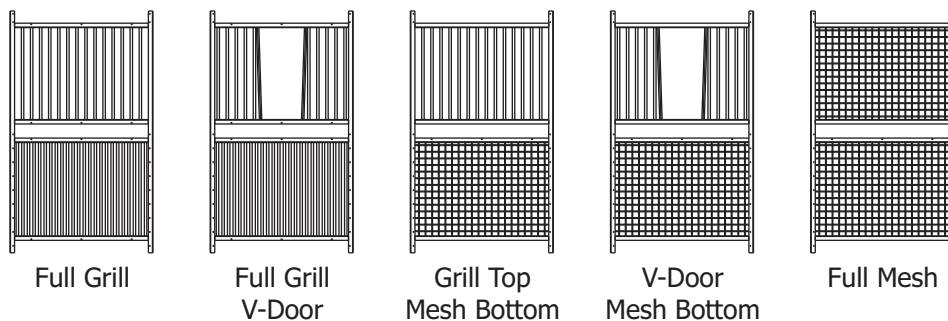
Slide top channel over top piece of lumber so it is flush with top edge of U-channels then fasten with SS1 screws.

Secure board to U-channels and top of grill section with SS1 screws.



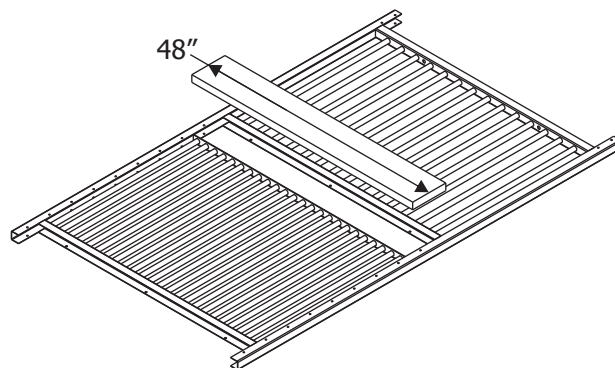
Stall Door Assembly


The door comes almost completely assembled except for the wood.

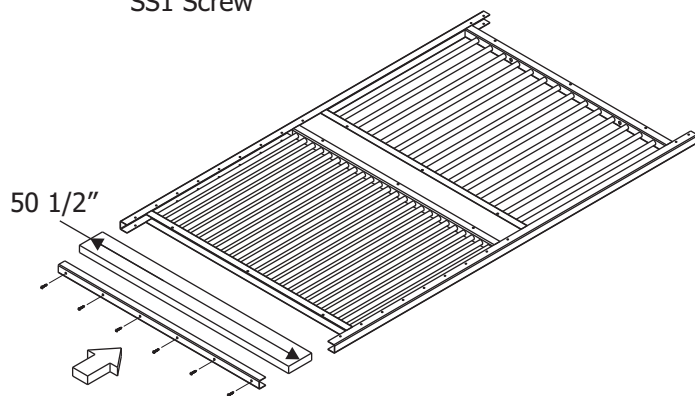
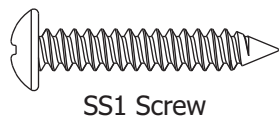


Insert a 7 1/2" x 48" (2 x 8) piece of lumber into the bottom of the top grill section then down onto the grill angle of the bottom section.

Fasten from the front side through the holes in the grill channel and grill angle with provided SS1 screws.



 Only put screws on front or outside of stall door.



Insert a 5 1/2" x 50 1/2" (2 x 6) piece of lumber into the bottom channels.

Insert bottom channel over lumber so it is flush with bottom of U-channels. Use a rubber mallet and block of wood if necessary so not to damage channel.

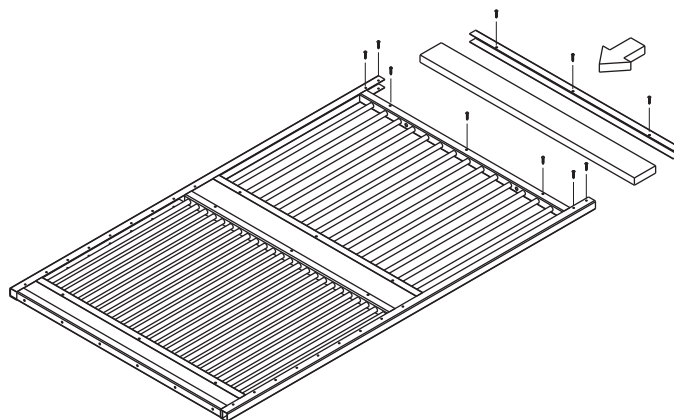
Fasten with provided SS1 screws up through holes in bottom of channel.

Insert a 5 1/2" x 50 1/2" (2 x 6) piece of lumber into the top channels.

Tap into place until top edge of board is approximately 1/8" inset from edge of channel.


Slide top channel over top piece of lumber so it is flush with top edge of U-channels then fasten with SS1 screws.

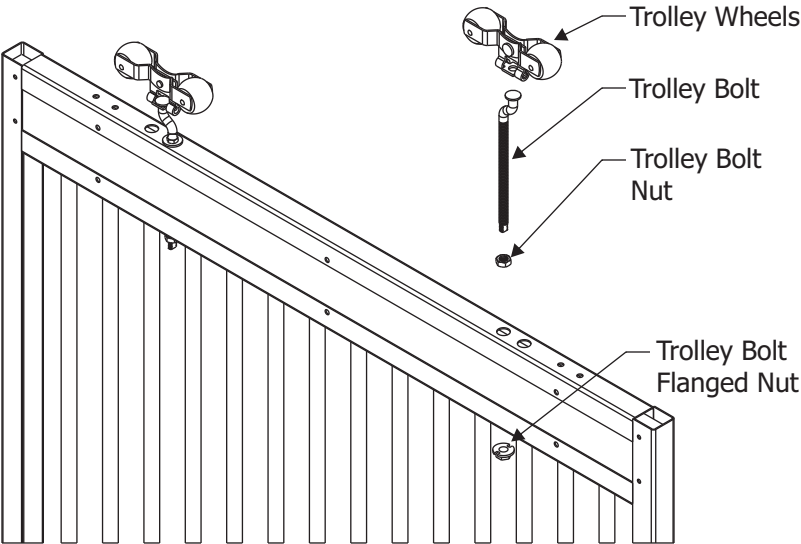
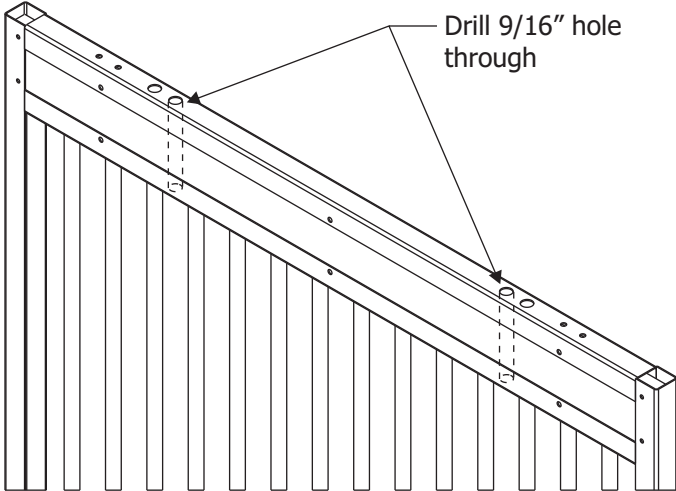
Secure board to U-channels and top of grill section with SS1 screws.



Door Trolley Assembly

Using a 9/16" drill bit, drill through pre-punched hole in door top channel completely through the lumber to hole in top of grill section.

 If your top channel has two sets of holes, be sure to drill through the correct holes corresponding to the holes on the underside in the grill section.



Insert trolley bolt through hole in trolley wheel assembly.

Thread trolley bolt nut onto trolley bolt.

Feed trolley bolt through hole in top of door.

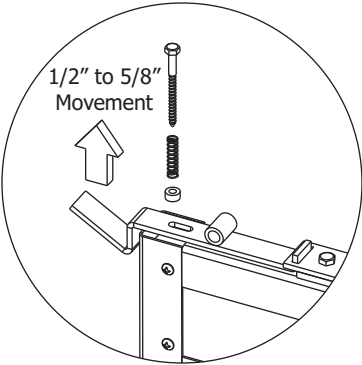
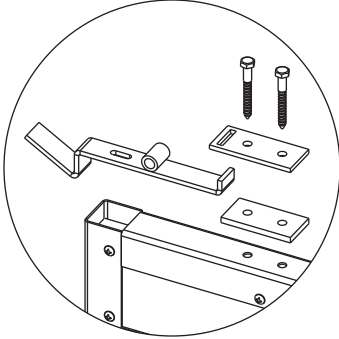
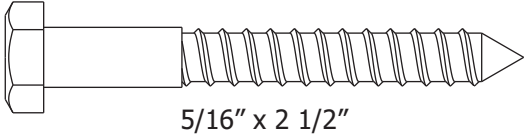
Thread trolley bolt flanged nut on end of trolley bolt and hand tighten.

Final adjustments will be made after door is hung on track.

Trolley bolt can be rotated to adjust the space between the door post and door.

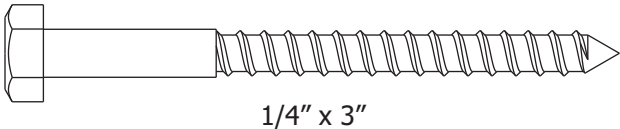
Door Latch/Handle Assembly

Position latch spacer, latch arm and latch plate on top of door with leg of latch arm fitting into slot of latch plate. Align with holes on top of door and fasten with provided 5/16" x 2 1/2" lags.



Slide latch spring over 1/4" x 3" lag then nylon washer.

Fasten screw through slot in latch arm allowing latch arm 1/2" to 5/8" vertical movement.



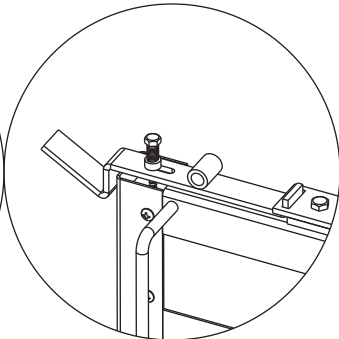
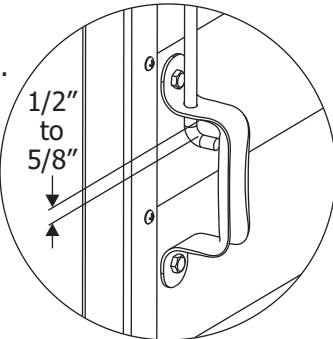
Feed short leg of lifting rod through hole in top of handle.

Insert long leg of lifting rod into boss of latch arm.

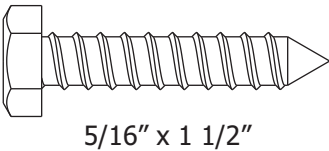
Position handle on door so lifting rod is plumb and there is a 1/2" to 5/8" gap between top of the lifting rod to the top of the inside of the door handle.

Mark position of door handle.

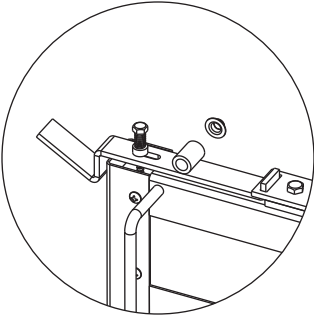
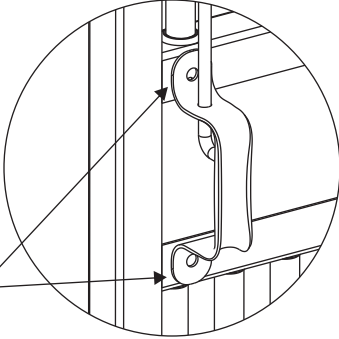
Remove lifting rod from handle and latch arm. Attach handle at marked location with 5/16" x 1 1/2" lags.



* **For full grill doors**, the handle will be located on the channel face. SS1 screws may need to be removed to allow handle to sit flat. Pre-drill holes at handle location into front face of channel. Attach handle with 5/16" x 1 1/2" lags.



If necessary, remove SS1 screws then pre-drill holes.



Re-insert short leg of lifting rod into hole in handle.

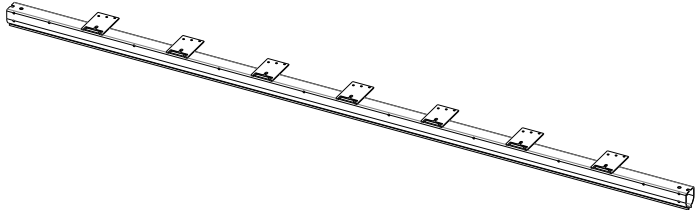
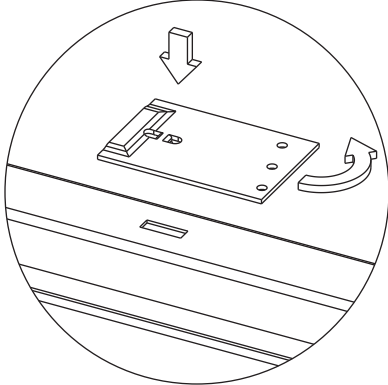
Fit long leg of lifting rod into boss of latch arm then attach lifting rod push cap onto end.

Track Installation

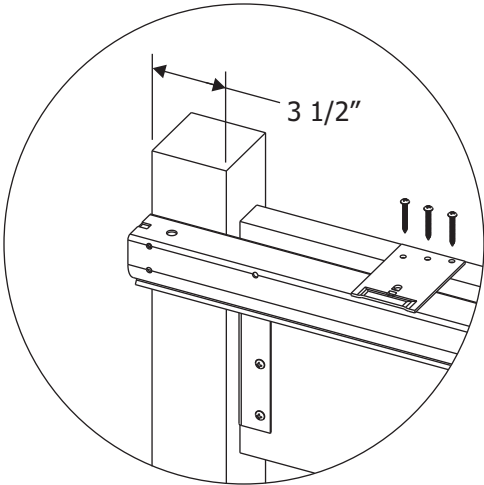
Insert tabs on track bracket into slots on top of round track.

Note: Brackets will not be painted even with a black track.

Rotate track bracket 90° to engage tabs into round track. A rubber mallet or block of wood and hammer may be necessary to turn track bracket.



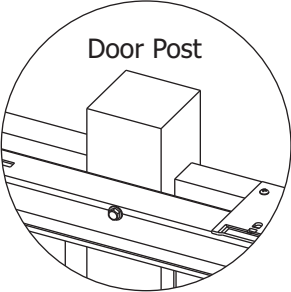
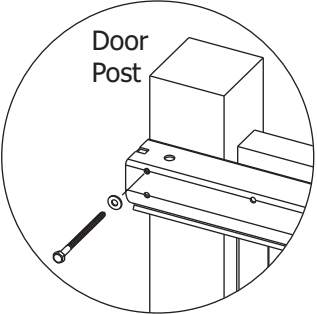
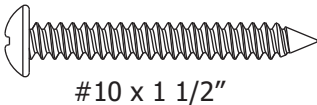
If bracket will not rotate or takes excessive force to rotate, pry tab slightly. Do not over bend. You do not want a loose fit when installed in track.



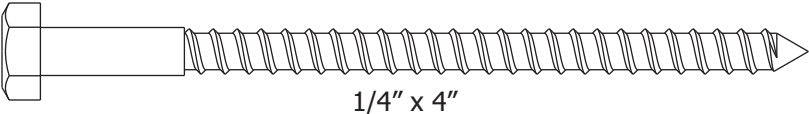
Place track with attached brackets on top of 2 x 12 and against face of posts. Edge of track should be approximately 3 1/2" from door opening edge of post (flush with outside edge of 4 x 4).

Before track is set, make sure holes in track align with door posts for the 1/4" x 4" lags.

Using #10 x 1 1/2" pan head screws provided, fasten track brackets to top edge of 2x12 through holes in track brackets.



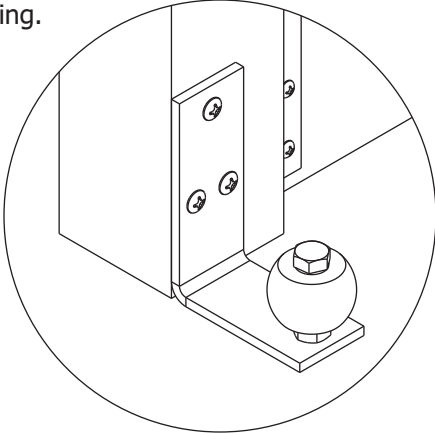
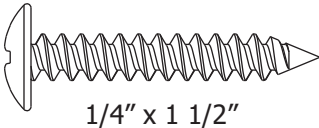
Fasten (2) 1/4" x 4" lags with washers through hole along top edge of track at door posts locations.



Door Stay Attachment

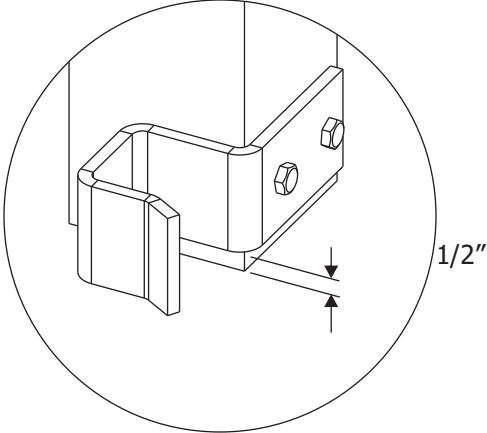
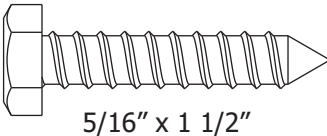
Set door stay down on floor and against post aligned with edge of door opening.

Fasten with 1/4" x 1 1/2" screws.



Post Bumper Attachment

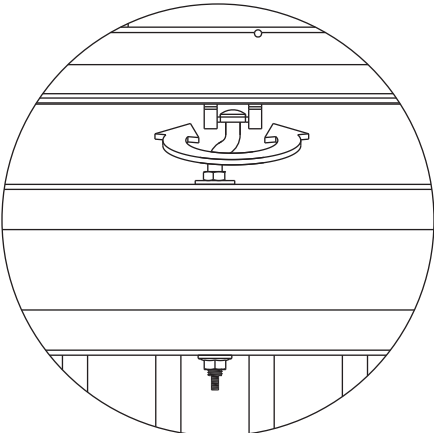
Attach post bumper to bottom of corner post approximately 1/2" above floor with provided 5/16" x 1 1/2" lags.



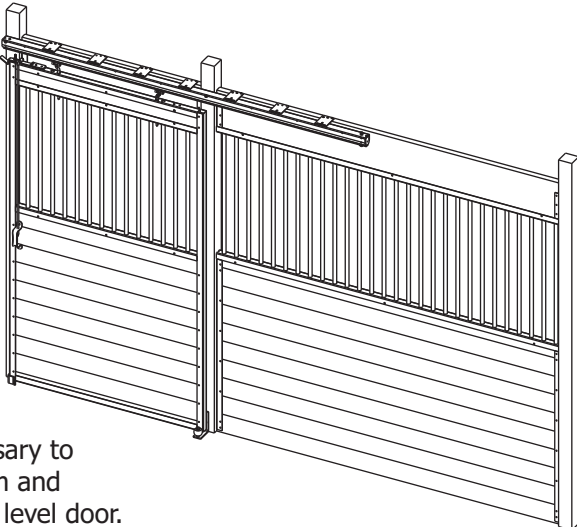
Hang Door

Slide rollers into end of track and roll door to closed position.

Adjust door for smooth operation.



Twist trolley bolt as necessary to plumb door and adjust jam and flange nuts up or down to level door.

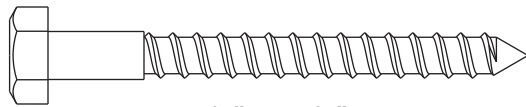


Latch Catch Installation

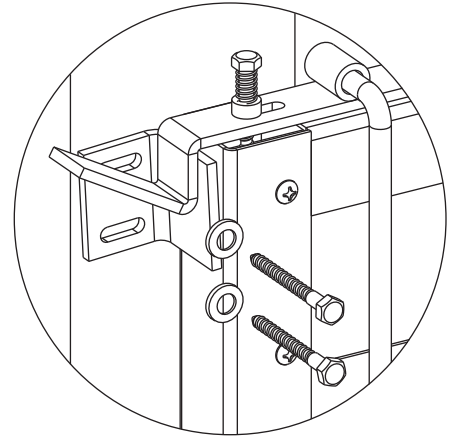
Close door until it is approximately 1/8" from post bumper.

Place latch catch against post and angled slightly between door and latch arm.

Fasten latch catch to post with provided latch catch washers and 1/4" x 2 1/2" lags.

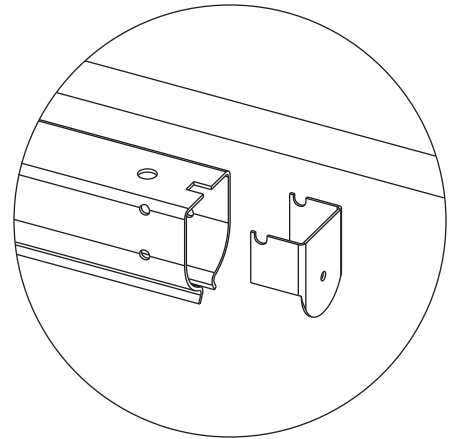


1/4" x 2 1/2"



Track End Cap Installation

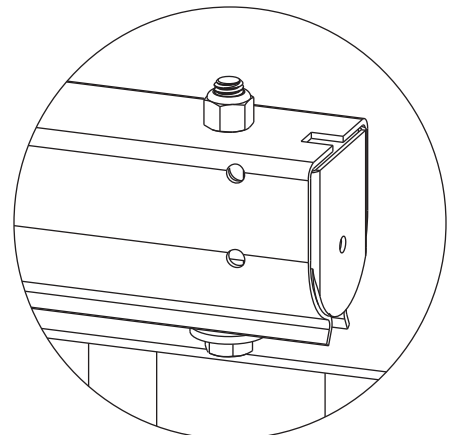
Snap in track end caps on both ends of track.



Track Stop Installation

On end opposite of latch, slide washer onto 3/8" x 3 1/2" bolt then feed bolt up through bottom opening in track and through hole in top of track.

Fasten with lock nut.

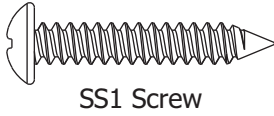
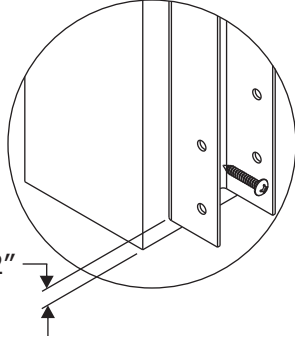


Partition Assembly - Grilled

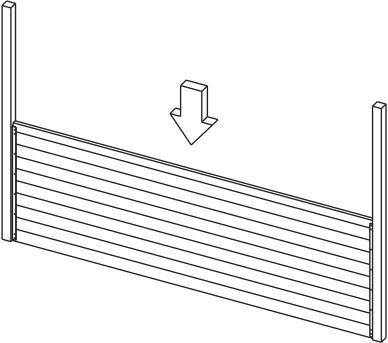
Place 46 1/2" U-channels 1/2" above floor and centered on posts or on outside wall.

Check that channels are level and plumb.

Fasten with provided SS1 screws through holes in channel.



SS1 Screw

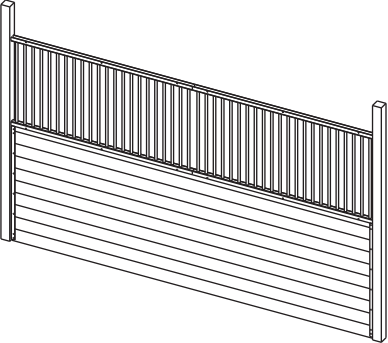
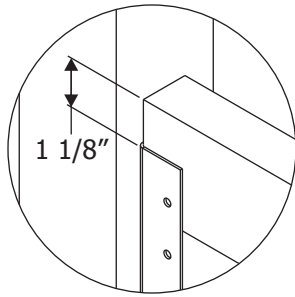


Cut lumber 1/4" to 3/8" less than the distance measured between the inside faces of the U-channel.

Slide first board down to the bottom of the U-channel ensuring that it is level. Pressure treated lumber can be used for the bottom of the stall wall. When pressure treated lumber is used, proper coated screws must be used.

Secure bottom board with provided SS1 screws before installing the remaining boards.

Install remaining boards ensuring the last board is 1 1/8" above the U-channels. It may be necessary to rip a board to achieve the correct height.

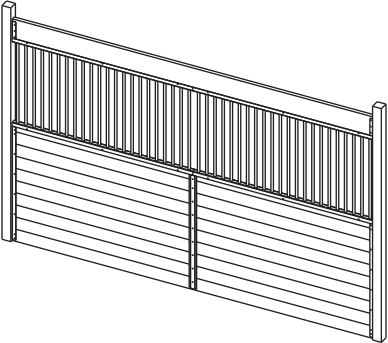
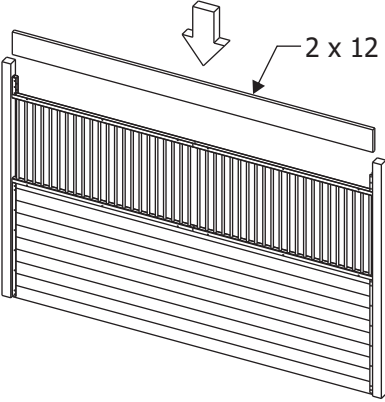


Fit the grillwork section over the last board so it rests on top of the U-channel ends.

Place 7" U-channels against posts flush with the top of grillwork and fasten to posts with provided SS1 screws.

Slide 2 x 12 board into 7" U-channels and push down into top channel of grillwork.

Install SS1 screws through holes in U-channels securing all boards.



Center a 46 1/2" wall brace on the wall and fasten with SS1 screws.

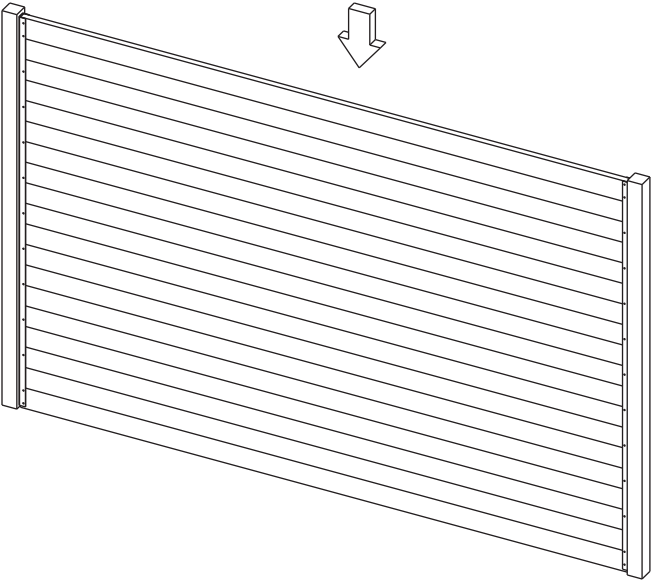
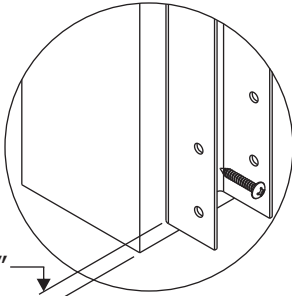
Place another wall brace on the opposite side of the wall offsetting it slightly from the previously installed wall brace so the screws will not interfere with each other when attaching.

Partition Assembly - Solid

Place 94 1/2" U-channels 1/2" above floor and centered on posts or on outside wall.

Check that channels are level and plumb.

Fasten with provided SS1 screws through holes in channel.



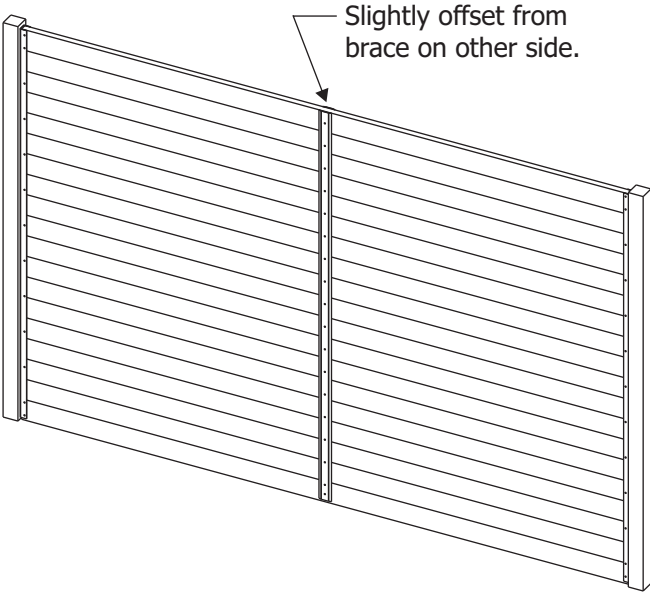
Cut lumber 1/4" to 3/8" less than the distance measured between the inside faces of the U-channel.

Slide first board down to the bottom of the U-channel ensuring that it is level. Pressure treated lumber can be used for the bottom of the stall wall. When using pressure treated lumber, proper coated screws must be used.

Secure boards with SS1 screws.

Center a 94 1/2" wall brace on the wall and fasten with SS1 screws.

Place another wall brace on the opposite side of the wall offsetting it slightly from the previously installed wall brace so the screws will not interfere with each other when attaching.



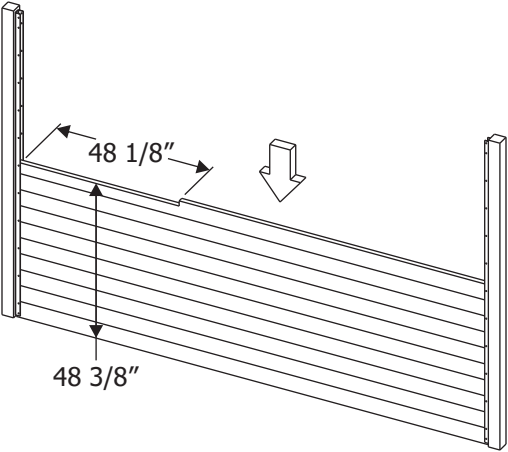
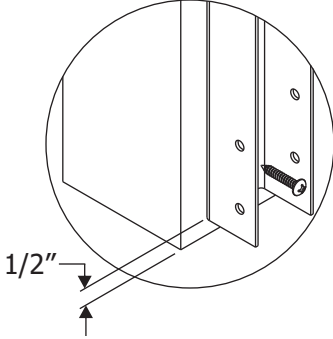
Partition Assembly - Privacy

NOTE: These instructions are for a 48" grill. When using larger grills, cutting of the wall brace and other modifications may be necessary.

Place 94 1/2" U-channels 1/2" above floor and centered on posts or on outside wall.

Check that channels are level and plumb.

Fasten with provided SS1 screws through holes in channel.



Cut lumber 1/4" to 3/8" less than the distance measured between the inside faces of the U-channel.

Slide first board down to the bottom of the U-channel ensuring that it is level. Pressure treated lumber can be used for the bottom of the stall wall. When pressure treated lumber is used, proper coated screws must be used.

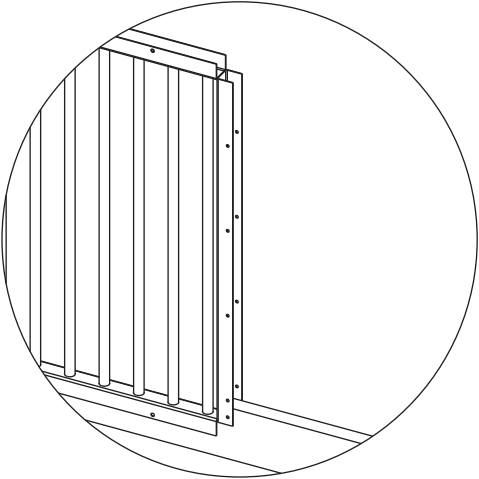
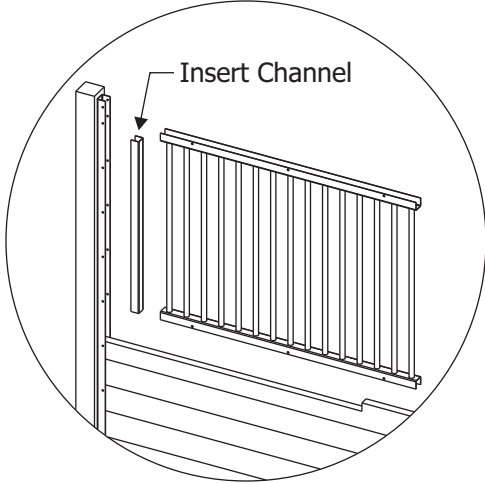
Secure bottom board with provided SS1 screws before installing the remaining boards.

Slide in approximately 9 to 10 boards depending on the board width you are using.

Cut top board, as necessary, so top of board is approximately 48 3/8" from floor and 48 1/8" from edge of 94 1/2" U-channel.

Fit insert channel into 94 1/2" U-channel so face is flush with edge of 94 1/2" U-channel and bottom edge is resting on top of board.

DO NOT fasten insert channel to 94 1/2" U-channel at this time. Final adjustments will be made after grill is completely installed.



Cut and fit a 46 1/2" U-channel against grillwork.

If you prefer to have the U-channel flush with outside edges of the grillwork, cut U-channel to length then notch out ends so boards can pass through.

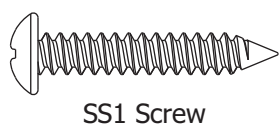
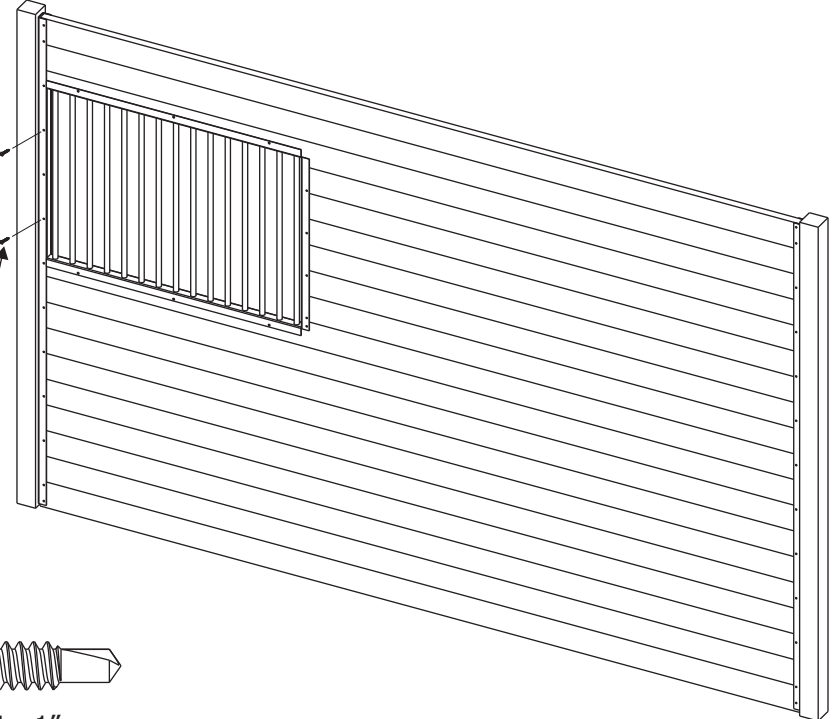
Partition Assembly - Privacy (cont.)

Install remaining boards, cutting and ripping as necessary.

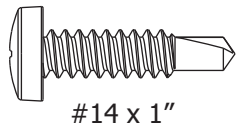
Install SS1 screws through all the holes securing boards, grillwork and the U-channel.

Check that insert channel is not showing any gaps at the top or bottom where it meets the grill channels. Secure with provided #14 x 1" drill point screws, 2 on both sides.

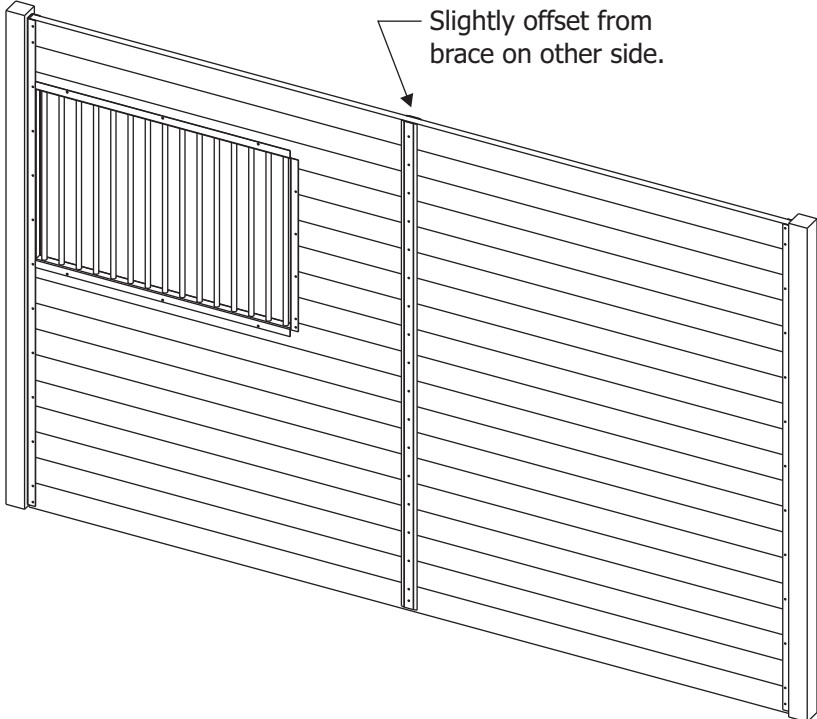
#14 x 1"
Drill Point
Screw



SS1 Screw



#14 x 1"



Slightly offset from
brace on other side.

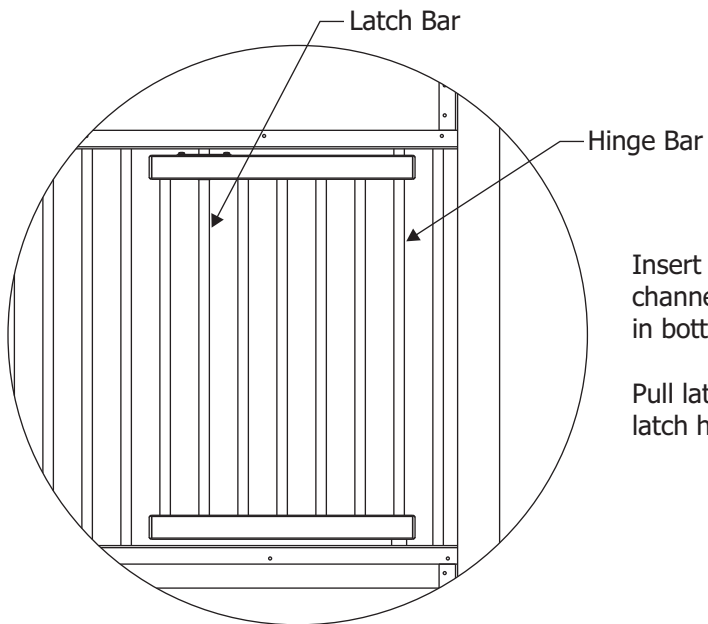
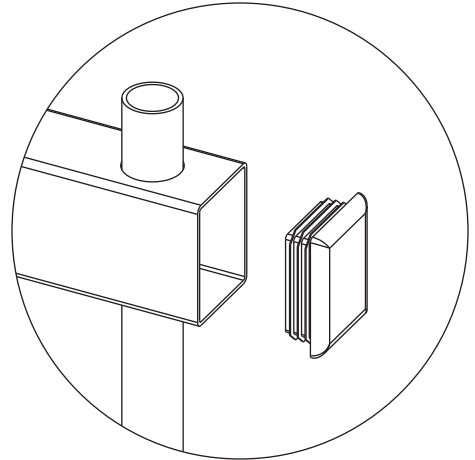
Center a 94 1/2" wall brace on the wall and fasten with SS1 screws.

Place another wall brace on the opposite side of the wall offsetting it slightly from the previously installed wall brace so the screws will not interfere with each other when attaching.

NOTE: If using a longer grillwork, cut the 94 1/2" wall brace to fit above and below the grillwork.

Feed Door Option

Insert supplied caps into ends of feed door tubes.



Insert top of hinge bar completely up into hole in top channel then set bottom of hinge bar down into hole in bottom channel.

Pull latch bar down and swing into place and latch into latch hole.