

# 60" INDOOR/OUTDOOR UL507 CERTIFIED CEILING FAN



Read instructions carefully before assembling or installing your fan.

It is important that you observe all safety information to help prevent personal injury and/or property damage.

## Warranty

The retailer warrants the fan motor to be free from defects in workmanship and material present at time of shipment from the factory for a lifetime after the date of purchase by the original purchaser. The retailer also warrants all other fan parts to be free from defects in workmanship and material at the time of shipment from the factory for a period of one year after the date of purchase by the original purchaser. We agree to correct such defects without charge or at our option, replace with a comparable or superior model if the product is returned to the retailer. To obtain warranty service, you must present a copy of the receipt as proof of purchase. All costs of removing and reinstalling the product are your responsibility. Damage to any part such as by accident or misuse or improper installation or affixing any accessories, is not covered by this warranty. A certain amount of "wobble" is normal and should not be considered a defect. Service performed by unauthorized persons shall render the warranty invalid. There is no other express warranty. This warranty does not apply to any damage that is the result of rust or corrosion. The retailer hereby disclaims any and all warranties, including but not limited to, those of merchantability and fitness for a particular purpose to the extent permitted by law. The duration of any implied warranty which cannot be disclaimed is limited to the time period as specified in the express warranty. Some states do not allow limitation on how long an implied warranty lasts, so the above limitation may not apply to you. The retailer shall not be liable for the incidental, consequential, or special damages arising out of or in connection with product use or performance except as may otherwise be accorded by law. Some states do not allow the exclusion of incidental or consequential damages, so the above exclusion or limitation may not apply to you. This warranty gives specific legal rights, and supersedes all prior warranties. Shipping costs for any return of product as part of a claim on the warranty must be paid by the customer.

## Important Safety Instructions

- Installation work and electrical wiring should be done by qualified persons only in accordance with all applicable codes and standards.
- Unplug or disconnect the fan before servicing.
- Use this fan only in the manner intended by the manufacturer. This fan is intended for permanent installation and to be used for air circulation only.
- The secondary support cable included with the fan must be properly connected.
- The fan shall be supported directly from the building structure. **Caution:** To reduce risk of injury, use only the enclosed hardware as the primary means of support.
- **Warning:** To reduce the risk of personal injury, do not bend the blade brackets when installing the brackets, balancing the blades, or cleaning the fan. Do not insert foreign objects in between rotating fan blades.
- Ceiling fans without guards are to be installed at least ten feet above the floor with adequate clearance between blades and adjacent walls, furnishing, etc.
- When mounted in a cathedral ceiling, blade tips should be at least one foot from the angled roof line or air turbulence may cause fan to sway.
- The supporting beam must be capable of holding at least 80 pounds (or the weight of the fan plus any accessories that might be added).
- Ceiling fans installed with ceiling fan guards must be installed with J-hook mounting bolt hardware provided, and must be attached directly to the building structure.
- Do not operate any fan with a damaged cord or plug. Discard fan or return fan to an authorized service facility for examination and/or repair.
- All set screws must be checked and retightened where necessary after installation but before startup.

## Electrical Hookup

- All electrical hookups should be made by a qualified person.
- Check that power source conforms to electrical requirements of fan.
- Disconnect power at main service panel. Lock and tag it to prevent unexpected power application.
- Check state and local codes to assure proper hookup.
- The installation shall be in accordance with the National Electrical Code, ANSI/NFPA 70, and local codes.
- Outlet for unit **MUST** be a GFCI protected receptacle.

## Tools and Supplies

- Phillips head screwdriver
- Adjustable crescent wrench
- Grounded metal outlet box with single GFCI protected receptacle
- Drill and drill bits

## Unpacking

- Carefully remove fan and parts from carton and check for shipping damage
- Check parts list against carton contents

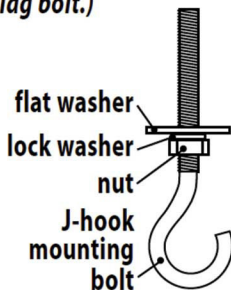
## Parts List

- |  |  |
|--|--|
| (1) Pre-assembled fan without blades   | (1) J-hook mounting bolt                       |
| (3) Blades with brackets attached  | (2) Each – lock washers, flat washers and nuts |
| (6) Each – bolts, flat washers and rubber washers<br>(attached to motor housing) | (1) J-hook secondary support bolt              |
|  | (2) Cable locks                                |

## Mounting J-Hooks

Assemble nut, lock washer and flat washer onto the J-hook mounting bolt as shown below.

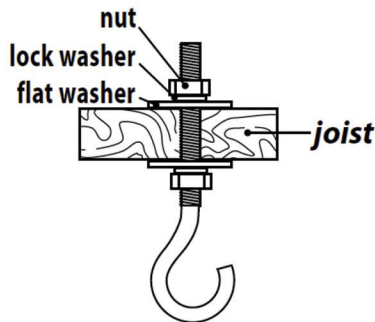
(do not replace J-hook mounting bolt with a lag bolt.)



Using a drill and drill bit, drill a hole thru joist.

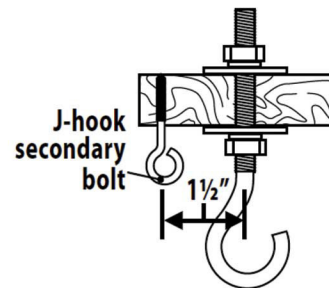
Insert J-hook mounting bolt with assembled hardware into hole and secure with flat washer, lock washer and nut as shown below.

Fully secure J-hook mounting bolt to joist by snugging top and bottom nut.



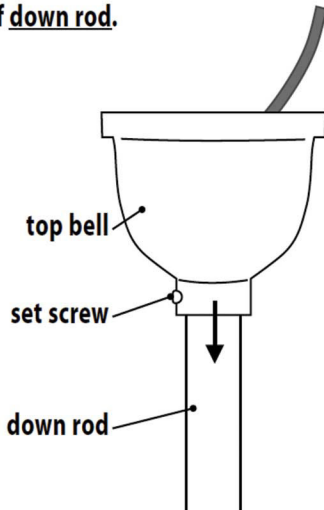
1½" from installed J-hook mounting bolt, drill a small pilot hole for mounting the J-hook secondary bolt.

Using pilot hole as your guide, install J-hook secondary bolt for secure installation ensuring all bolt threads are fully engaged.



## Preparing to Hang Fan

Loosen set screw on top bell and slide top bell down to expose top of down rod.

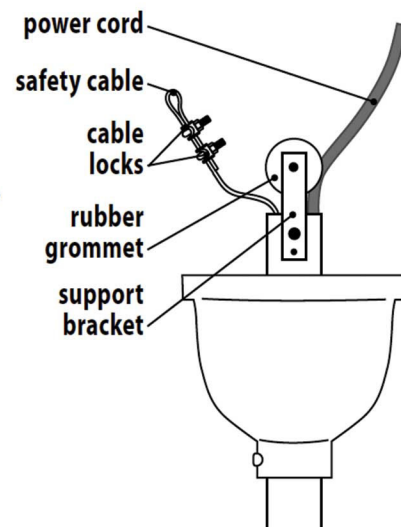


Inspect the hanging and installation components to ensure that there is no shipping damage.

Check that power cord is free from cuts or abrasions.

Check that support bracket and rubber grommet are secure.

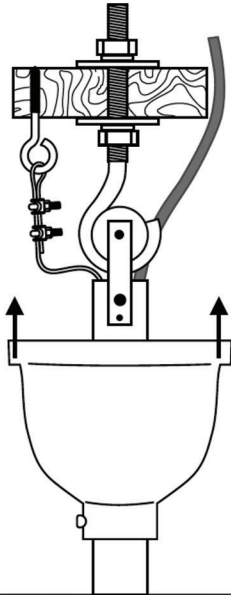
Check that BOTH cable locks on safety cable are tight.



## Hanging Fan

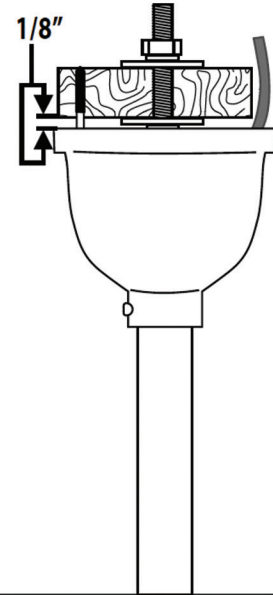
Once top of unit has passed the safety inspection, install unit.

Insert rubber grommet into the cradle of the J-hook mount bolt until fully seated and insert loop of safety cable into J-hook secondary bolt as shown.



Slide top bell up to cover both J-hooks, leaving a 1/8" gap between top of bell and hanging surface and secure in place by tightening set screw.

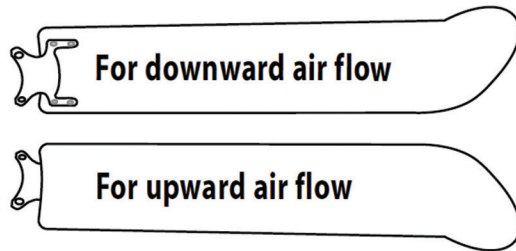
*(The 1/8" gap is required to ensure that down rod is allowed to hang properly and not be forced off center causing fan to wobble or vibrate.)*



## Blade and Air Flow

Before installing fan blades, decide which direction of airflow you intend to utilize the most and install blades accordingly.

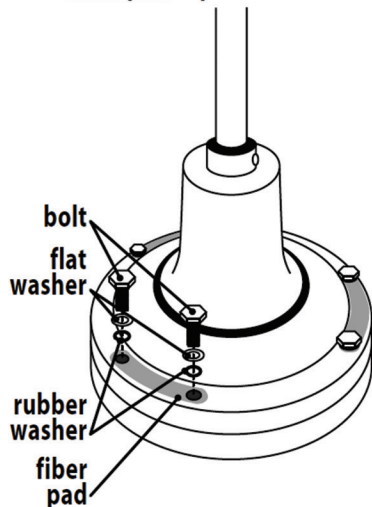
For safety and warranty reasons, ALL FAN BLADES MUST BE INSTALLED FACING THE SAME DIRECTION.



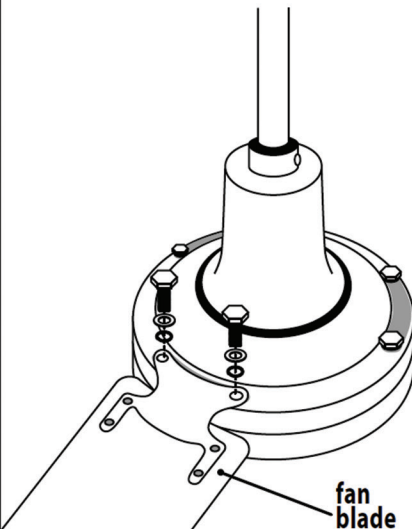
## Mounting Fan Blades

Hardware for installing fan blades is located on the fan base.

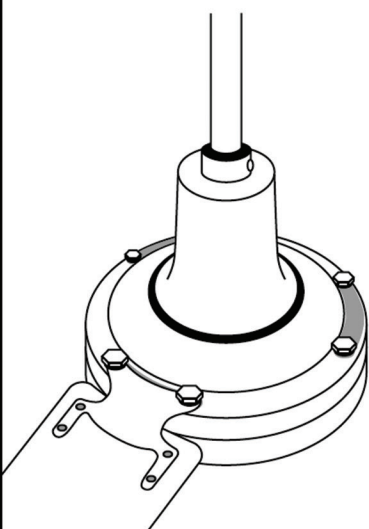
Remove bolt, flat washer and rubber washer from base. Leave fiber pad in place.



Align fan blade mounting holes with holes in base and secure with hardware as shown.

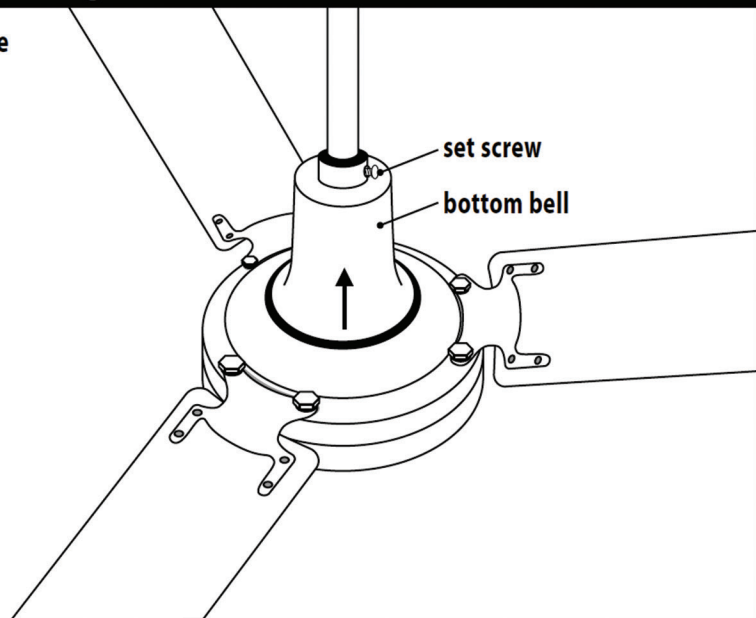


Using only hand tools, tighten bolts till blade is secure. DO NOT OVERTIGHTEN.



## Reversing Fan Direction

Remove set screw on bottom bell and slide bottom bell and rubber gaskets up to expose directional switch.



Slide directional switch to change motor direction.

Slide gaskets and bottom bell back down to original position, align set screw holes and secure with set screw.

**WARNING:** If bottom bell and gaskets are not placed properly unit will not be protected from water infiltration.

