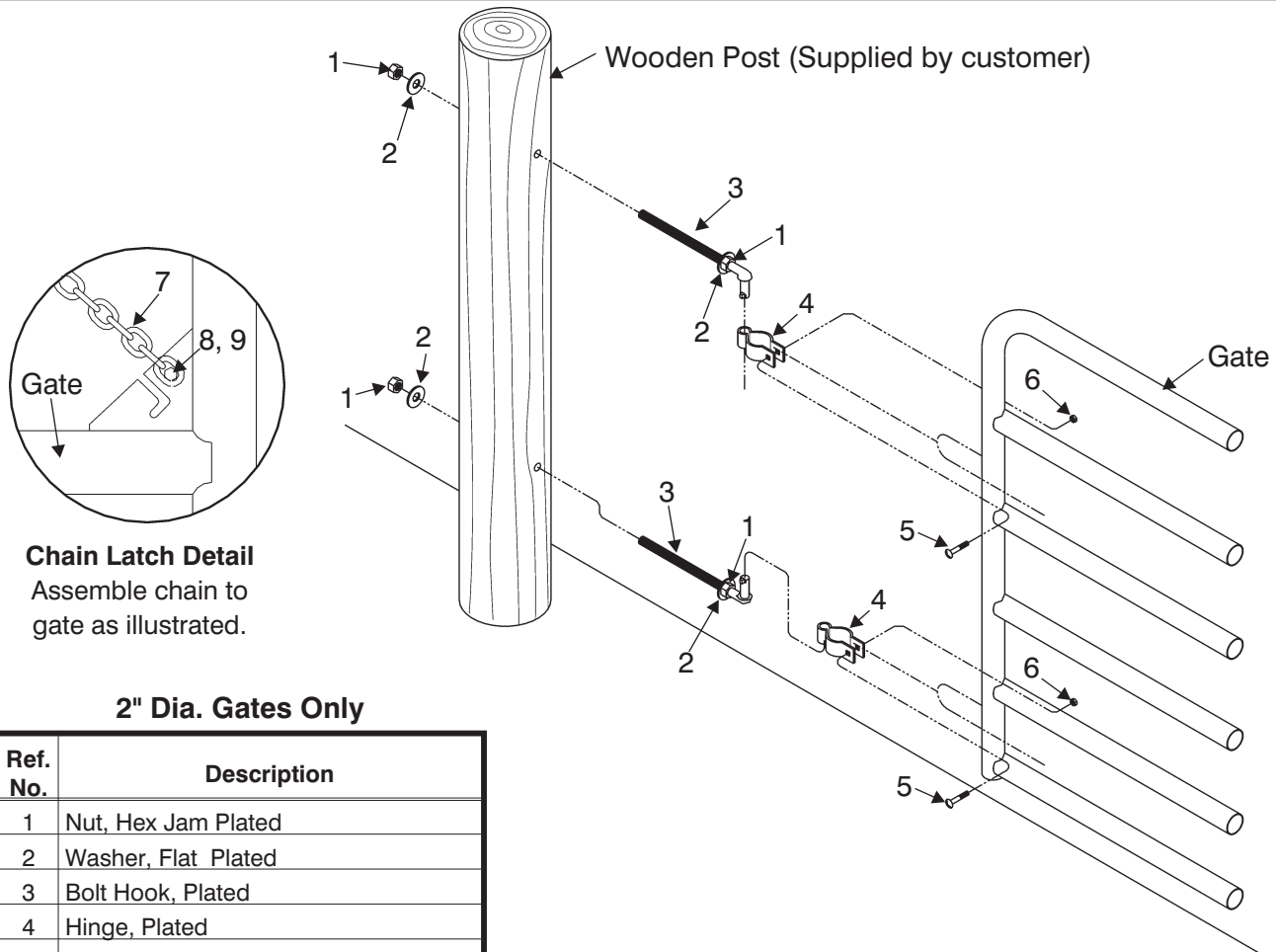


# ASSEMBLY INSTRUCTIONS

## Gate Hardware for 2" dia. Gates with BOLT HOOKS

THANK YOU FOR PURCHASING THIS PRODUCT



**Chain Latch Detail**  
Assemble chain to gate as illustrated.

### 2" Dia. Gates Only

Ref. No.	Description
1	Nut, Hex Jam Plated
2	Washer, Flat Plated
3	Bolt Hook, Plated
4	Hinge, Plated
5	3/8" Carriage Bolt ZP
6	Nut, 3/8" NC Heavy Hex Flanged ZP
7	1/0 Plated Chain
8	Hex Bolt, 5/16" -18 x 3/4" ZP
9	Nut, 5/16" -18 Flange ZP

1. Drill holes in wooden post all the way through. **(NOTE: 2" gates require 3/4" bolt hooks and 1-5/8" gates require 5/8" bolt hooks. Drill hole sizes accordingly).**
2. Thread each bolt hook (3) with a nut (1) and washer (2) as illustrated. Place in the hole with the pintle side on the end where the gate is to be hung. To ensure the gate is fastened securely, place one bolt hook down and one up (see illustration).
3. Thread bolt hooks (3) on end with washer (2) and nut (1).

4. Install hinges (4) on gate. An extra long bolt is provided as a starter bolt to compress the hinge. After the hinge is compressed, place bolt (5) through hole and screw on nut (6). Tighten the bottom hinge and leave top hinge loose in order to slide it.
5. Place gate on bottom bolt hook (3). With gate in position, slide top hinge (4) onto bolt hook (3) and fasten securely in place.

**NOTE: Hardware Package contains either bolt or screw hooks, but not both)**



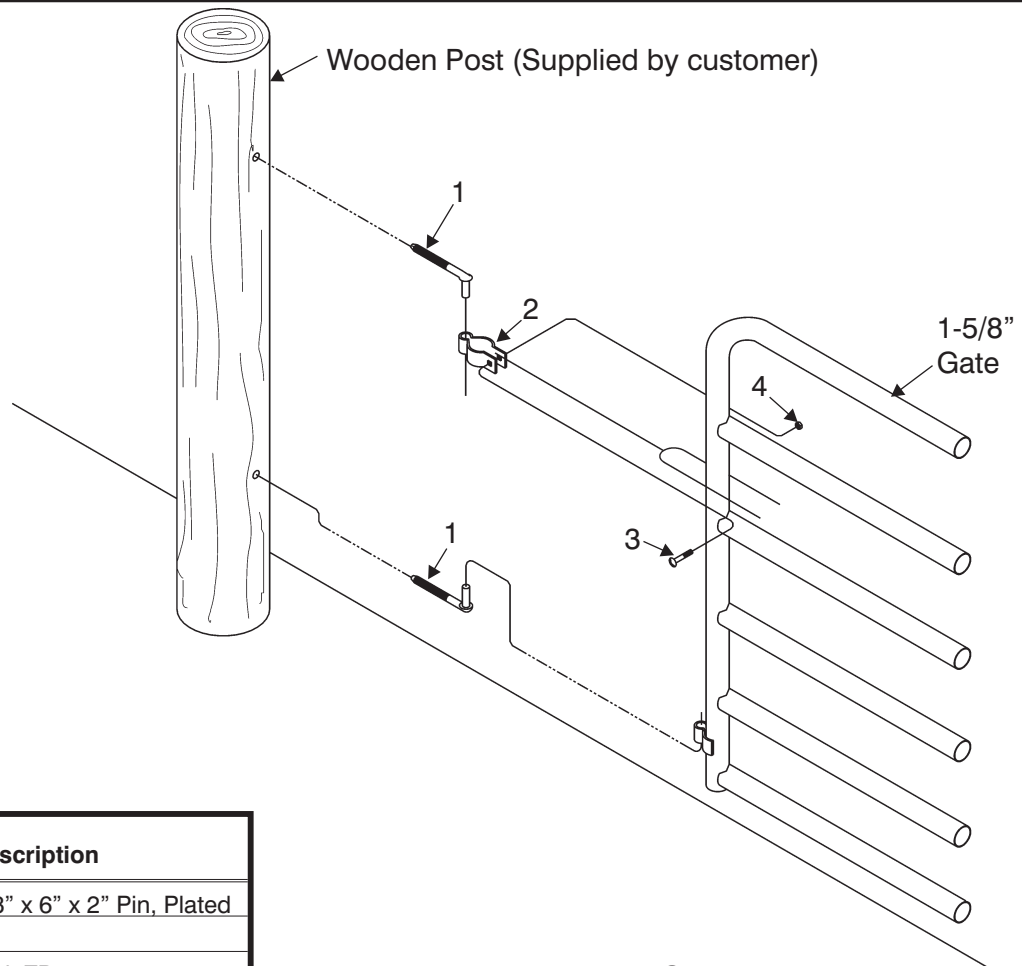
For questions about this product or installation, please call 800-853-1611.

[rammfence.com](http://rammfence.com)

# ASSEMBLY INSTRUCTIONS

## Gate Hardware for 1-5/8" dia. Gates with SCREW HOOKS

THANK YOU FOR PURCHASING THIS PRODUCT



Ref. No.	Description
1	Screw Hook, 5/8" x 6" x 2" Pin, Plated
2	Hinge, Plated
3	3/8" Carriage Bolt ZP
4	Nut, 3/8" NC Heavy Hex Flanged ZP
5	Chain Ass'y. complete with snap

**RAMM Horse Fence & Stalls**  
**Wire-Filled Gates require 2 plated hinges to be installed - one on the top and one on the bottom.**

1. Drill 3/8" pilot holes in wooden post using gate as a guide.
2. For installing screw hooks (1), manually screw into post using pilot holes. Place one screw hook up and one down as shown in the illustration above.
3. Install hinge (2) on gate. Place bolt (3) through hole and screw on nut (4). Leave hinge loose in order to slide it.

4. Place gate on bottom screw hook (1). With gate in position, slide top hinge onto top screw hook and fasten securely in place.

**NOTE: Hardware Package contains either bolt or screw hooks, but not both)**



For questions about this product or installation,  
please call 800-853-1611.

[rammfence.com](http://rammfence.com)