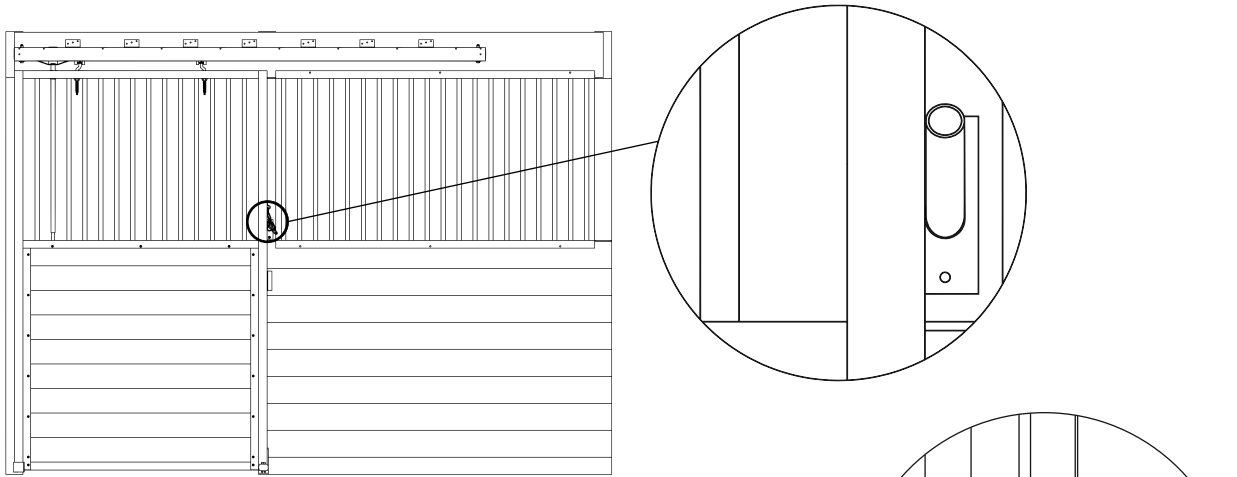


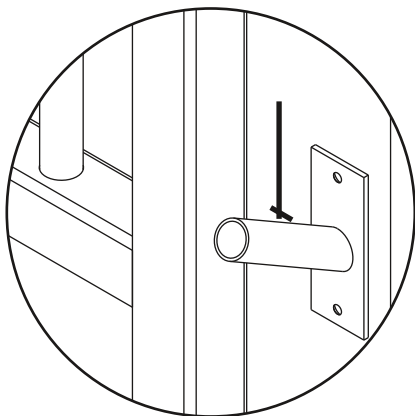
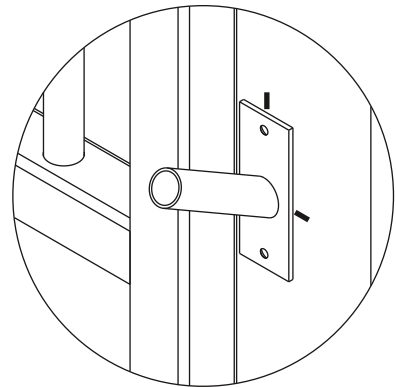
# Pin Lock Installation Instructions



Put door in closed position. Pin Lock plate is located to inside of the track. Place the frame receptacle upside down and backwards against the frame.

Locate tube flush against the door. Once installed this will allow for 1/16" spacing between the pin and door when closed.

Mark centerline location of tube.



Extend centerline marks to find center of hole location.

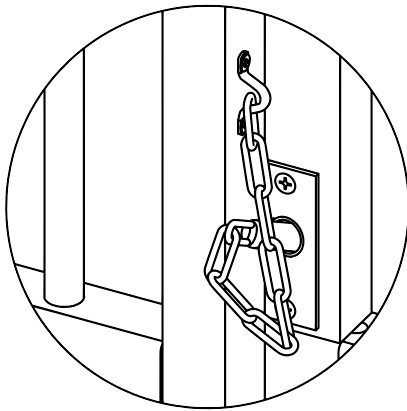
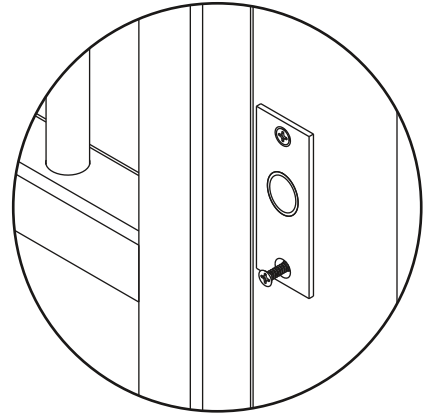
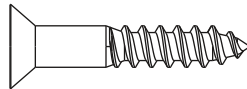
Using the frame receptacle as a guide for the angle to be drilled, drill a 1" hole into the frame approximately 3-3/4" deep.

**Tip:** Use tape on drill bit to help judge the depth of hole.

If using a 4 X 4 post the receptacle may stick through the post. You may need to cover the rear of the post with a trim board to cover any tube sticking through the post.

## Pin Lock Installation Instructions

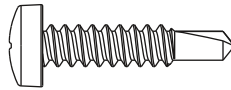
Insert frame receptacle into hole and fasten with flathead screws.



Insert pin into frame receptacle.

Feed chain loop clip through end link. Place the chain loop clip on the edge of the door leaving enough slack in the chain to remove and insert the pin into the receptacle.

Fasten with #8 pan head drill point screws.



Let the pin hang. Slide the door receptacle onto the pin.

Center the door receptacle on the edge of the door and fasten with #14 pan head drill point screws.

