



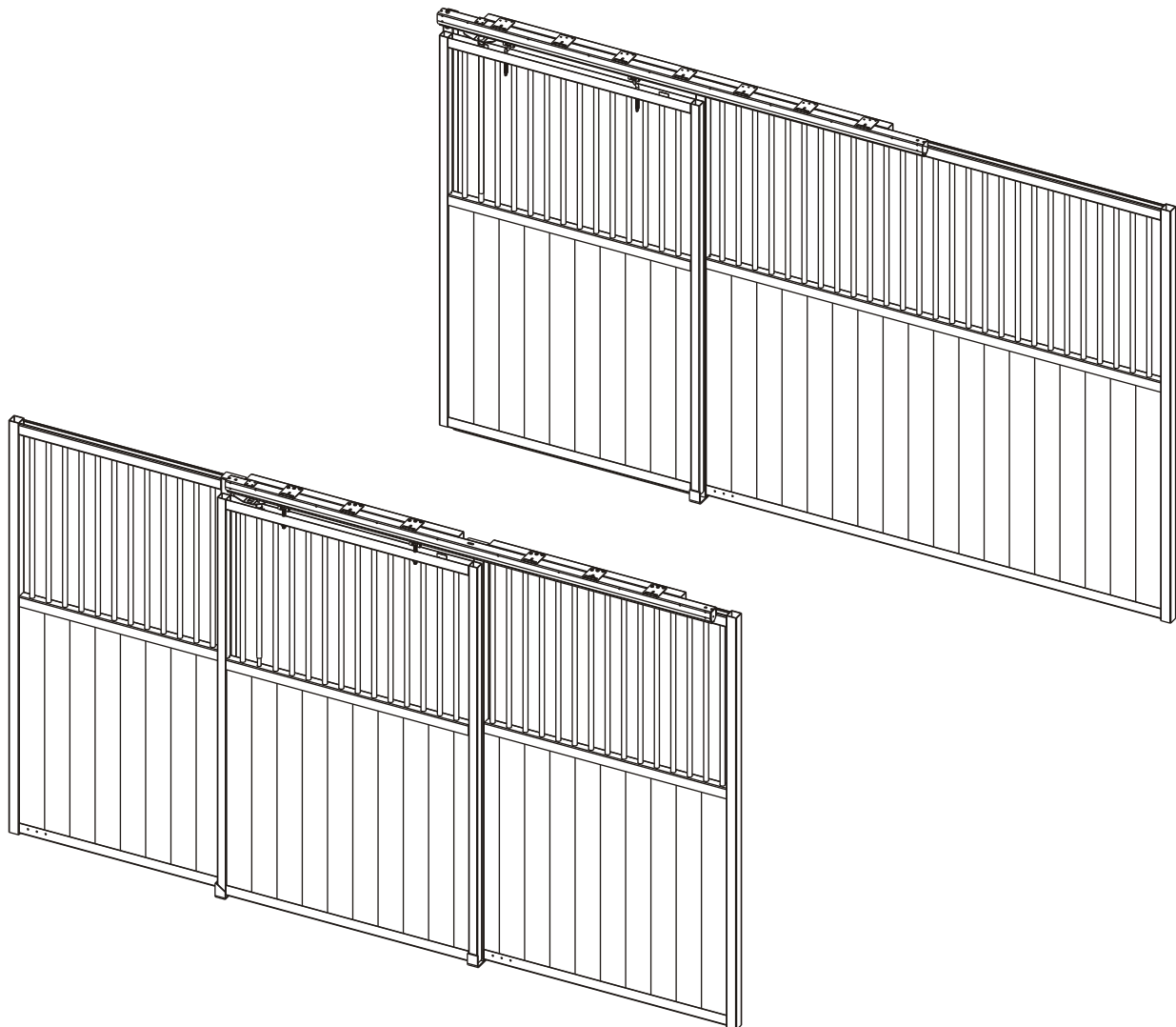
---

# Dublin Stalls

(Portable Panel)

## Installation Instructions

---



# Part Identification

(Quantities per stall front)

Round Track Bracket (7) (Not Painted)	Round Track End Caps (2)	Round Track Latch Bracket (1) (Not Painted)		
3/8" Lock Nut Trolley Stop (1)	3/8" Washer Trolley Stop (1)	Door Stay (1)		
1/2" Nut Trolley Bolt (2)	1/2" Flange Nut Trolley Bolt (2)			
1/2" x 6 1/2" Trolley Bolt (2)		Trolley Wheels (2)		O-Ring (2)

(Screws shown actual size)

	#14 x 1 inch Latch Bracket (4) Round Track Bracket (21)"/>
#8 x 1" Filler Bar (2)	#14 x 1" Latch Bracket (4) Round Track Bracket (21)
3/8" x 3 1/2" Trolley Stop (1)	SS1 Wood Cover Plate

# Wood Installation

## DOOR

Cut boards to 46 1/2". If using tongue and groove boards, remove tongue on first board before sliding it up through the cutout in the bottom channel and over against door frame.

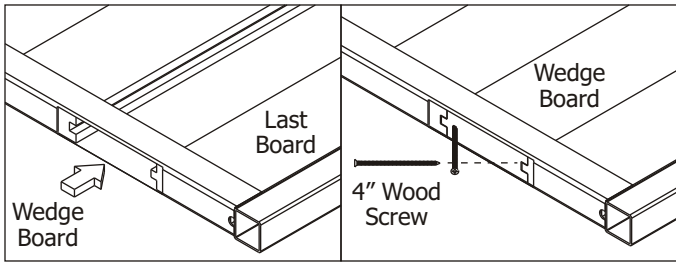
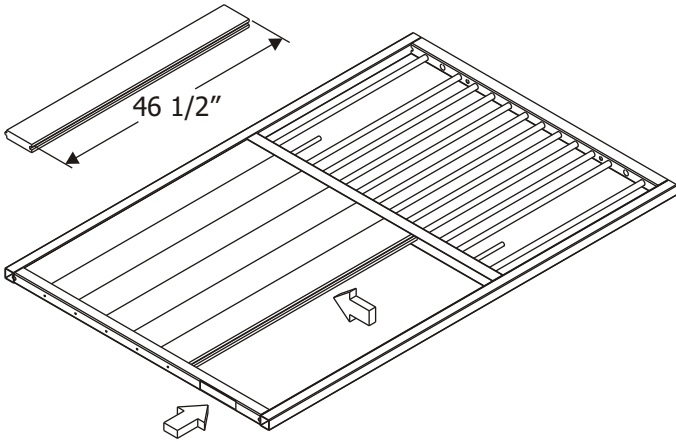
Slide boards into place until there is only room for less than one board.


Rip the last board as necessary, removing groove if using tongue and groove boards.

Remove one board from the door. This will be the "Wedge Board".

Insert the last board and slide against the door side frame.

Slide the "Wedge Board" back into the door and secure with (2) 4" wood screws at a 45° angle, driving the screw the "Wedge Board" and into the next board. One screw in each direction.



 Depending on the type of lumber you are using, ripping of boards may be necessary.

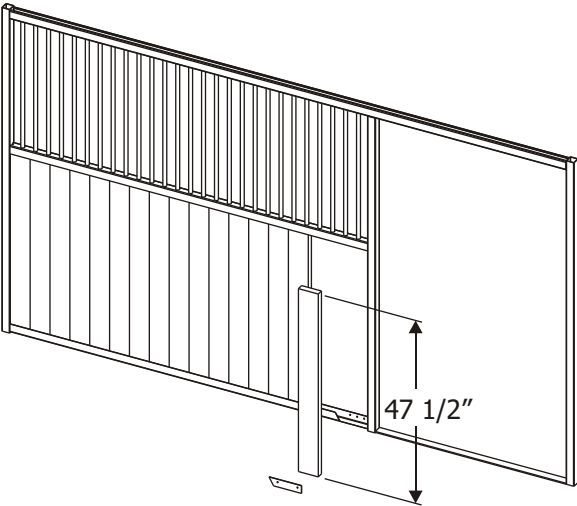
Cut boards to length then slide boards into place until there is only room for less than one board.

Rip last board as necessary, removing tongue if using tongue and groove boards.

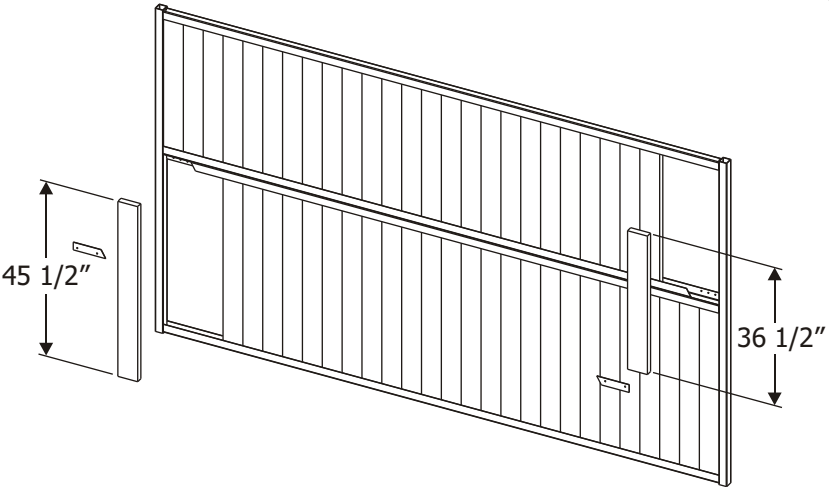
Secure last board in place with SS1 screws through holes in channel.

Attach wood cover plate to cutout in channel with SS1 screws.

## FRONTS/GRILLED PARTITIONS




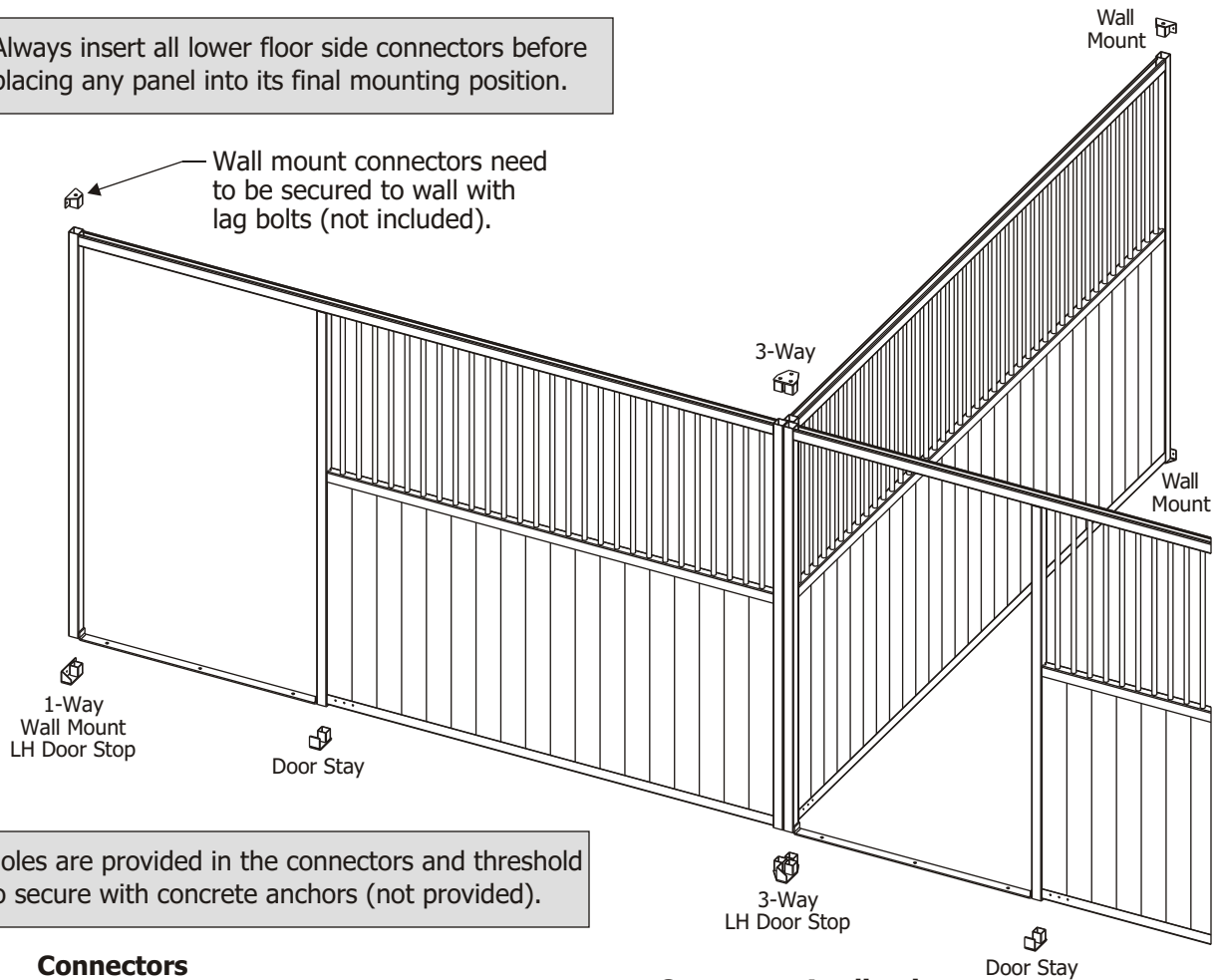
## SOLID PARTITIONS




	Length	Approx. # of boards
Door	46 1/2"	9
Stall Front	47 1/2"	10' - 14 12' - 18
Grilled Partition	47 1/2"	10' - 24 12' - 28
Solid Partition		
Upper	36 1/2"	10' - 24
Lower	45 1/2"	12' - 28

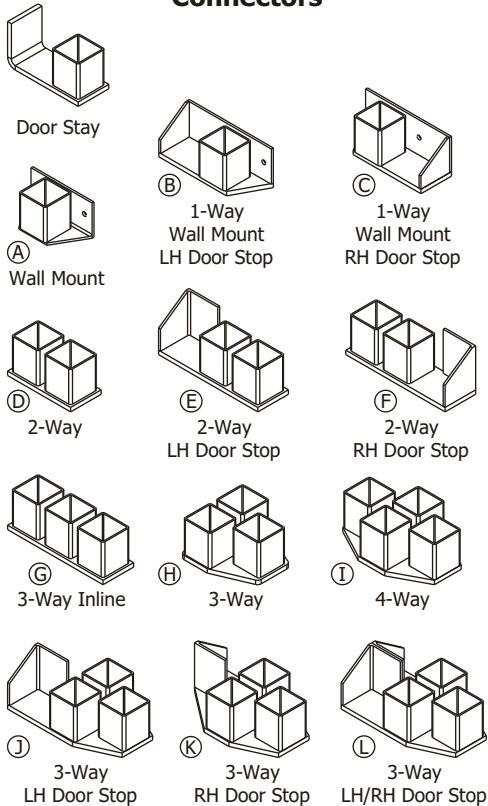
# Panel Assembly

 Always insert all lower floor side connectors before placing any panel into its final mounting position.

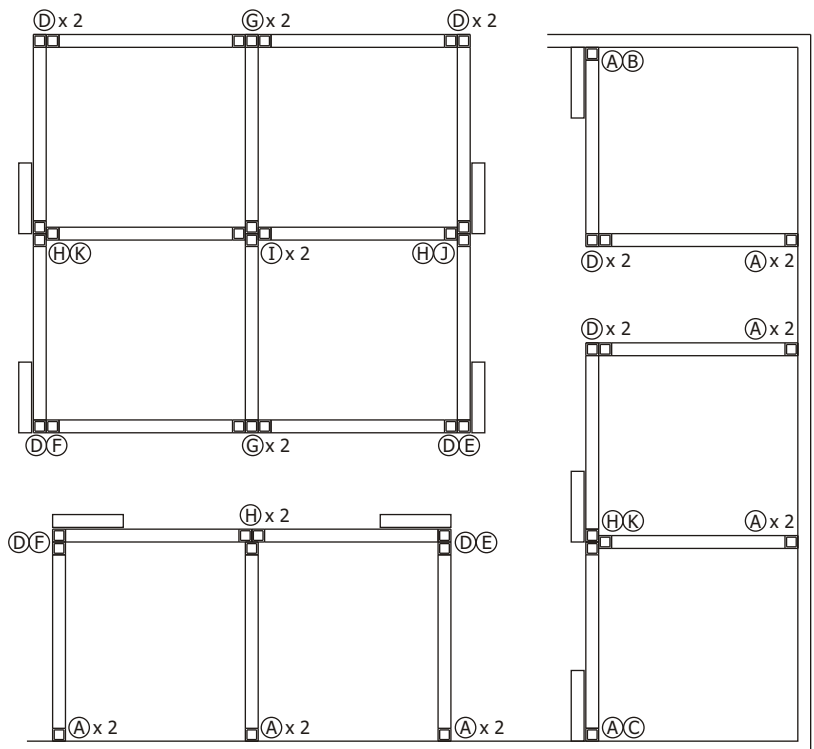


 Holes are provided in the connectors and threshold to secure with concrete anchors (not provided).

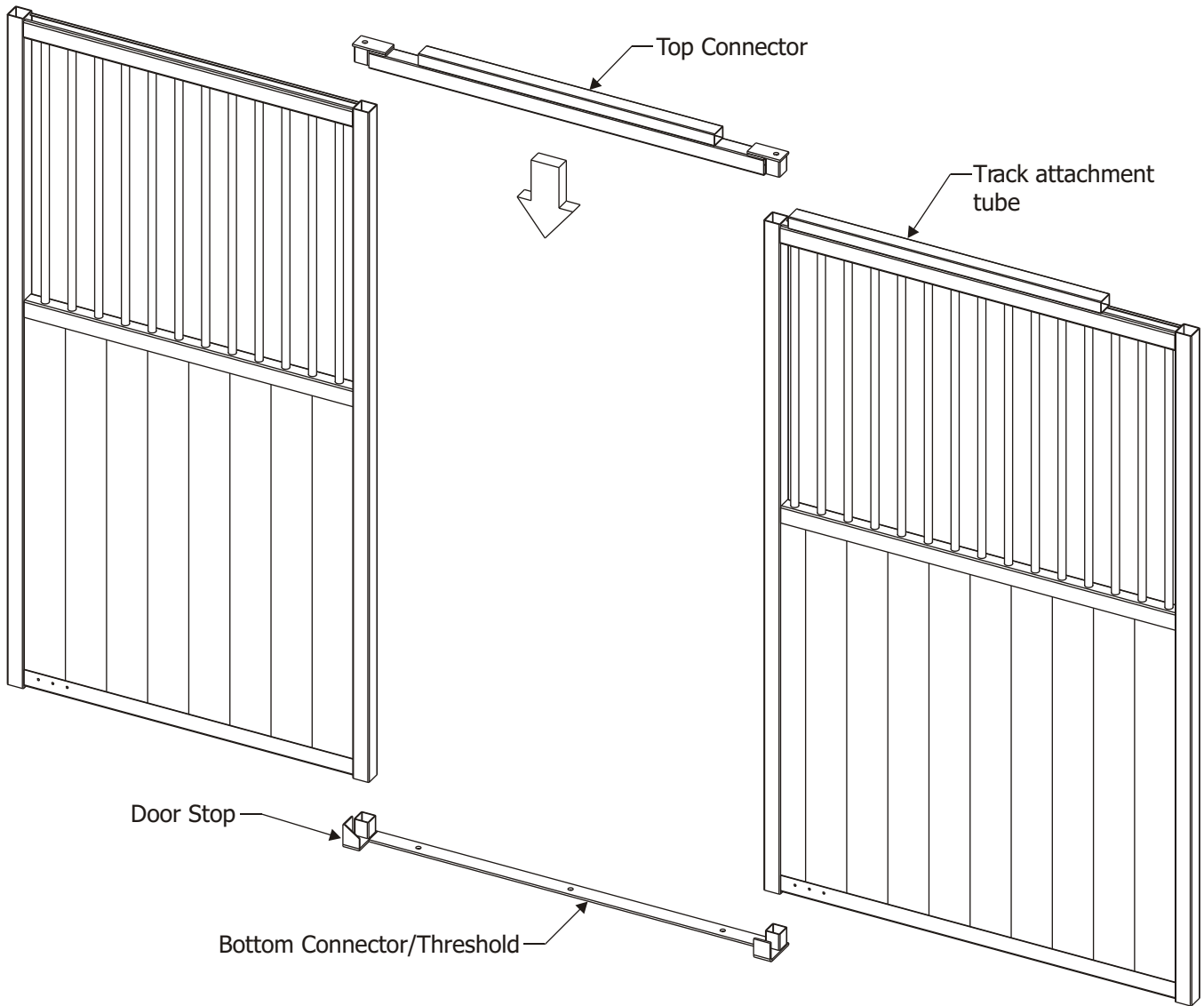
## Connectors



## Connector Applications



# Center Door Panel Assembly




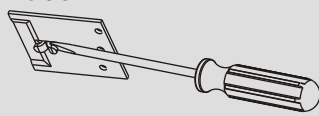
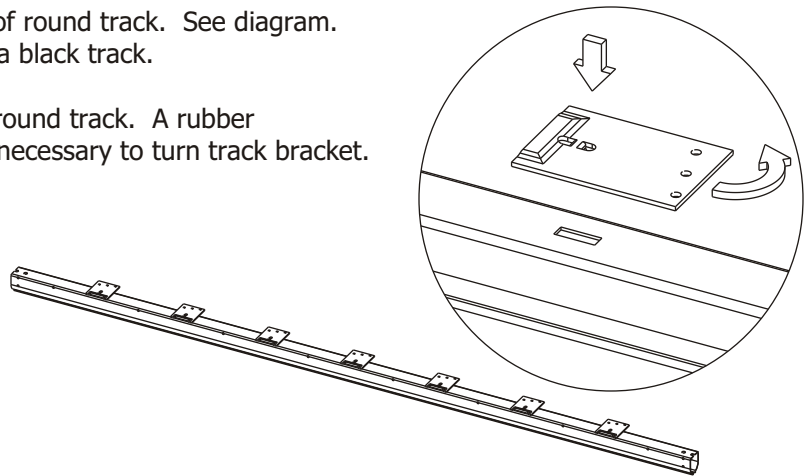
When assembling center door panels, note which direction door will slide for correct panel orientation.

# Track Installation

Insert tabs on track bracket into slots on top of round track. See diagram.  
 Note: Brackets will not be painted even with a black track.

Rotate track bracket 90° to engage tabs into round track. A rubber mallet or block of wood and hammer may be necessary to turn track bracket.

 If bracket will not rotate or takes excessive force to rotate, pry tab slightly. Do not over bend. You do not want a loose fit when installed in track.

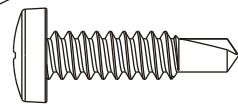
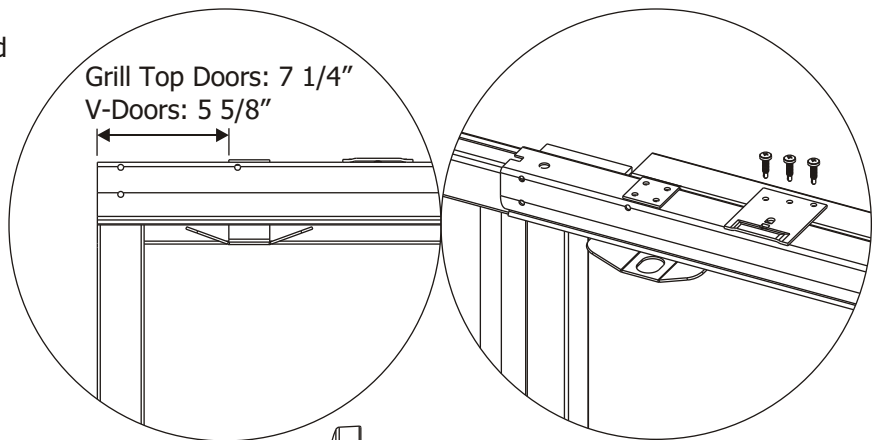
"Sandwich" latch bracket between round track and front panel.

Align edge of round track with outside edge of 2" square on the front panel.

Position latch bracket approximately 7 1/4" from the edge for grill top doors, and 5 5/8" for V-Doors.

Fasten round track to top of top front panel with Clip Screws through holes in track bracket.

Do not fasten latch bracket at this time.



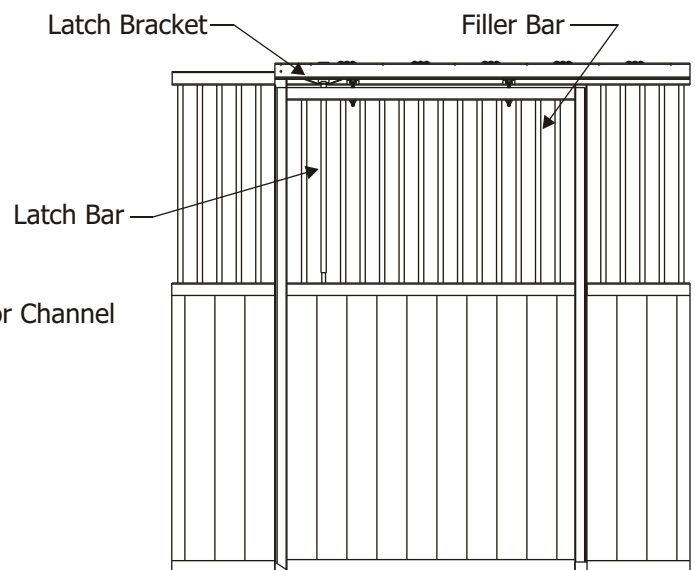
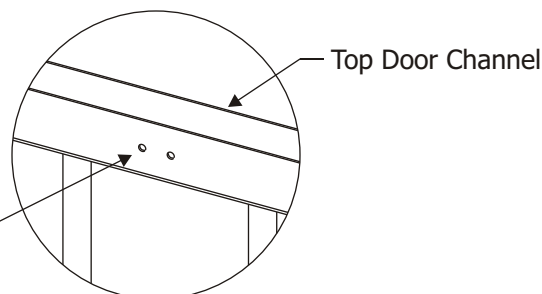
#14 x 1" Drilling

# Filler Bar Installation

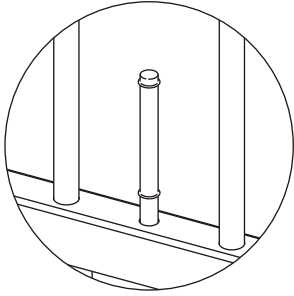
Determine which way door will slide.

The holes in the top door channel will be on the inside of the stall.

Filler bar will be installed over the guide post opposite the latch bar.



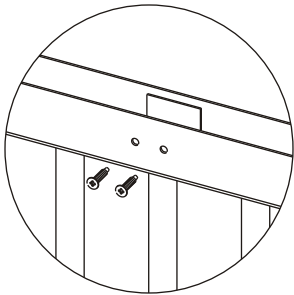
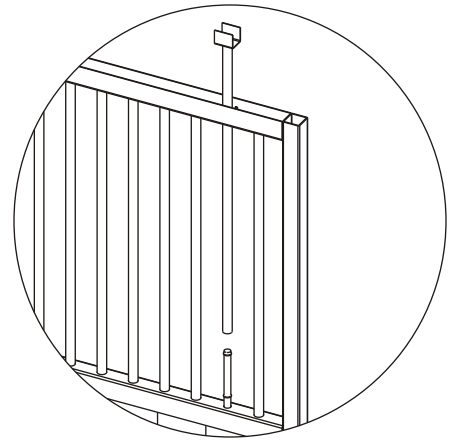
## Filler Bar Installation (cont.)



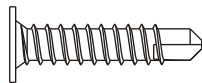
Slide two O-rings over the guide post approximately 1" from the bottom and 1/2" from the top.

Insert filler bar from the top and slide down over guide post.

Be sure filler bar is seated completely down.

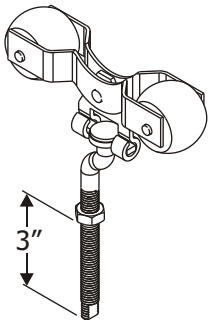


Secure filler bar with provided Low-Profile screws through holes in top door channel.



#8 x 1"  
Low-Profile Drilling

## Trolley Installation

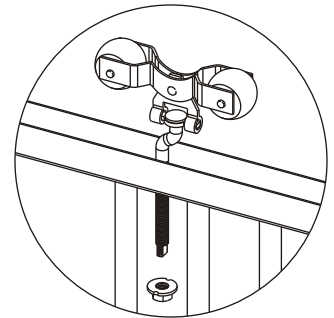


Insert trolley bolt through hole in trolley.

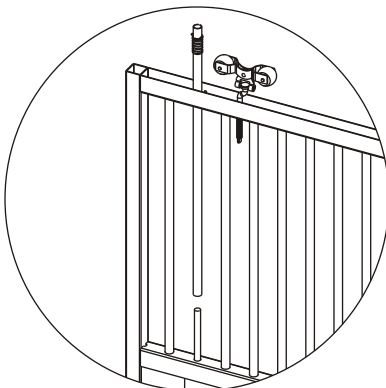
Screw nut approximately 3" onto bolt.

Insert trolley through holes in top of door.

Thread flange nut onto trolley bolt. Do not fully tighten. Final adjustments will be made after stall front is complete.



## Latch Bar Installation

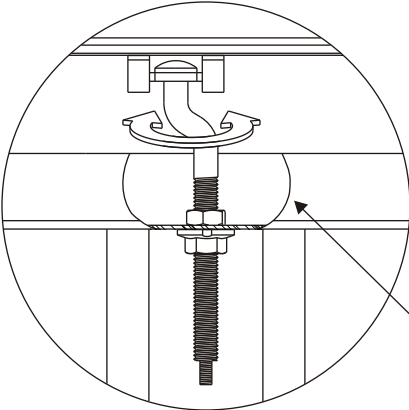
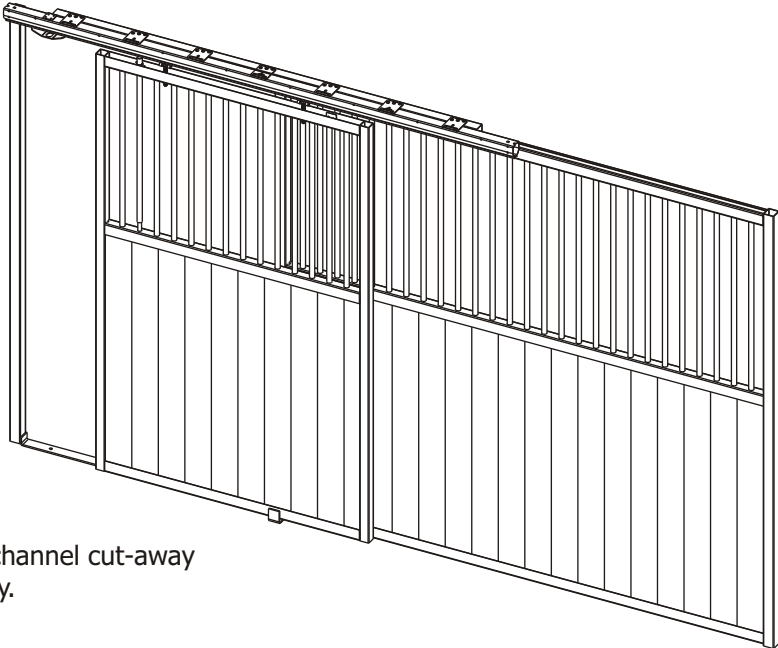


Insert latch bar through the top of the door with spring between the channel and cotter pin.

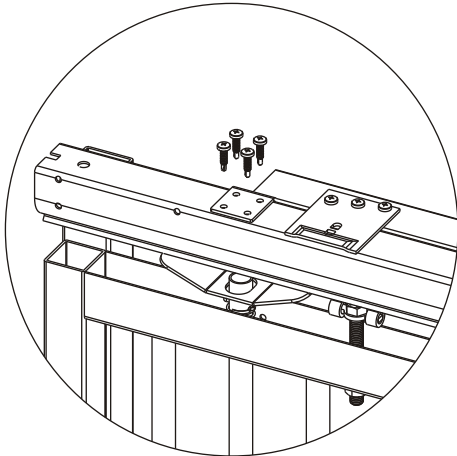
# Door Installation

Slide door onto track and make any adjustments with the trolley bolts for door height.

Twist trolley bolt as necessary to plumb door and adjust jam and flange nuts up or down to level door for smooth operation.

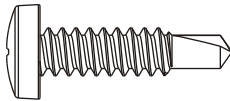


Side of channel cut-away for clarity.



With door in the closed position, fully seated in the door stop, adjust latch bracket as necessary so latch bar engages hole in latch bracket.

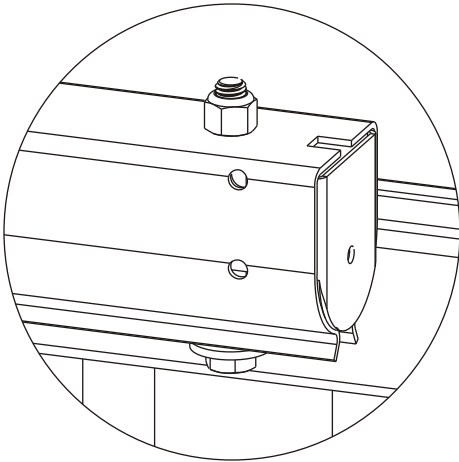
Fasten latch bracket to round track through holes with provided screws.



#14 x 1" Drilling

On end opposite of latch, slide washer onto 3/8" x 3 1/2" bolt then feed bolt up through bottom opening in track and through hole in top of track. Fasten with lock nut.

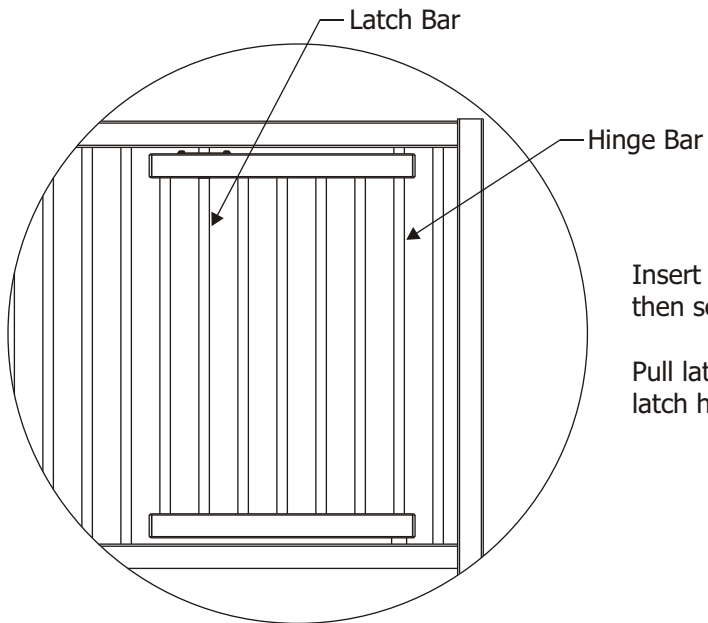
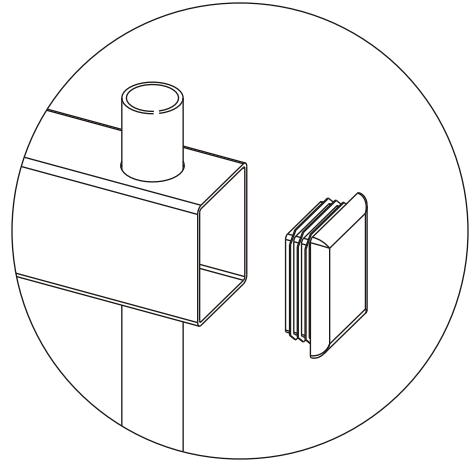
Snap in track end caps on both ends of track.





# Feed Door Option

Insert supplied caps into ends of feed door tubes.



Insert top of hinge bar completely up into hole in top channel then set bottom of hinge bar down into hole in bottom channel.

Pull latch bar down and swing into place and latch into latch hole.