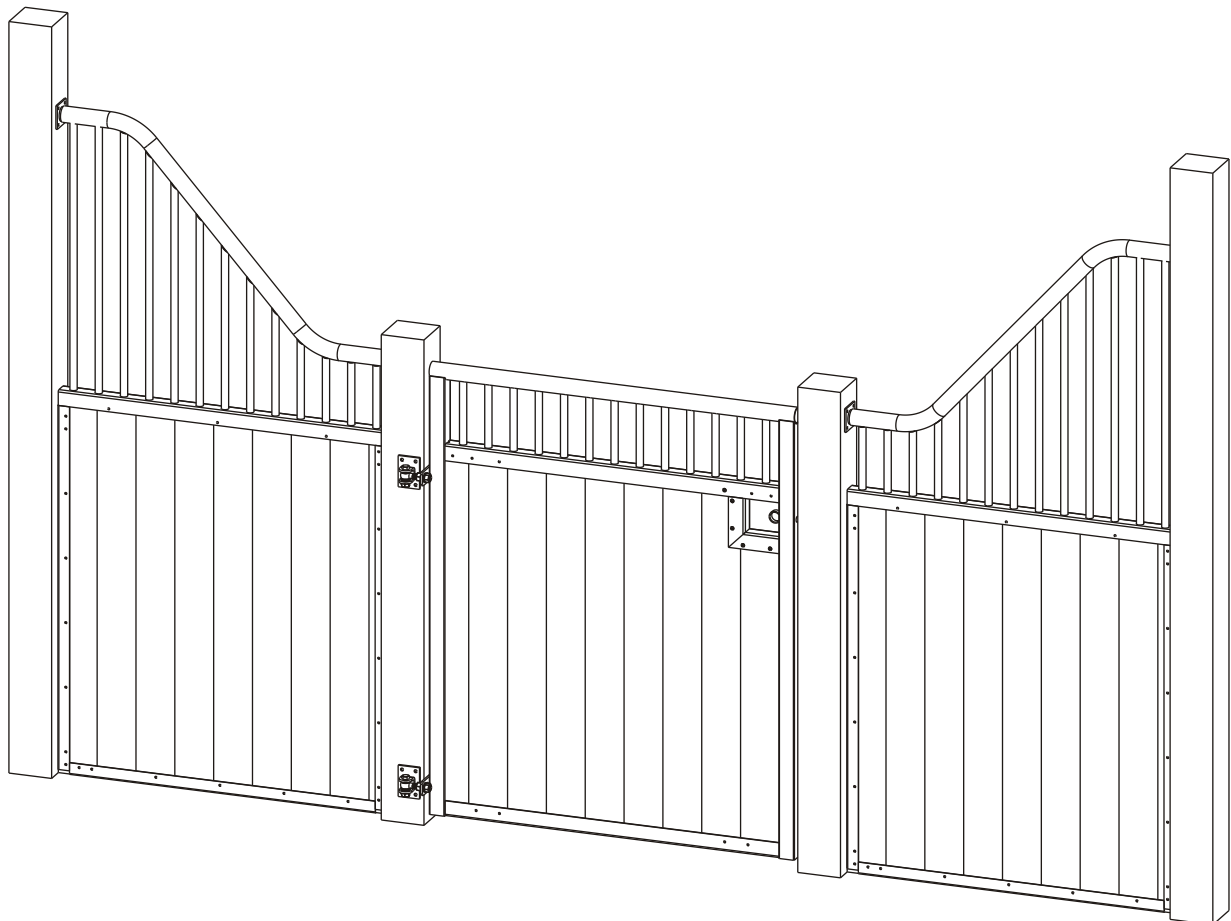


RAMM
FENCE & STALLS

Shetland Stalls

Installation Instructions

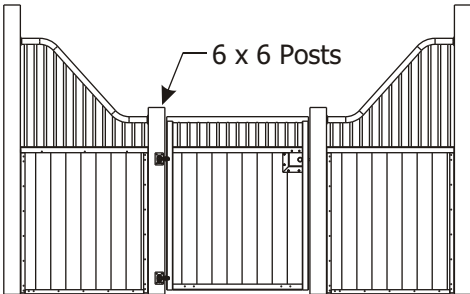


RAMM Horse Fencing and Stalls
13150 Airport Hwy.
Swanton, OH 43558-9615
1-800-434-8456

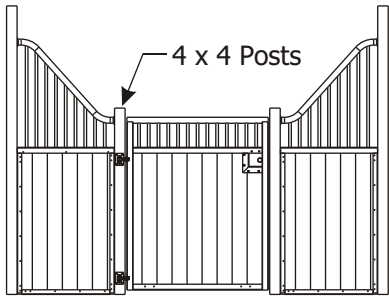
Rev. 04/17/25

Before you start

- Kit can accommodate up to 12' wide stall front measured between inside of posts (using 6 x 6 posts).
- 6 x 6 posts are recommended, installed from floor to ceiling or set in place in concrete (3' deep x 12" diameter hole recommended) or below frost depth.
- For 10' wide stall fronts, 4 x 4 posts at the door location should be used to allow for cutting down of the S-Grill. Lay boards, or some type of material, over both ends of the S-Grill to acquire the desired look before cutting ends of grill. This step helps ensure a symmetrical look.
*NOTE: The round tube on the S-Grill bracket may need to be shortened for 10' fronts so not to interfere with the bend in the tube.
- All measurements are based on finished wood sizes.
(Example: 6 x 6 = 5-1/2" x 5-1/2", 4 x 4 = 3-1/2" x 3-1/2")
- Tongue and groove boards are recommended for the filler wood.
- Pressure treated wood is recommended for the posts and bottom two boards of the stall front for horizontal board application.



12' Front



10' Front

Install Posts

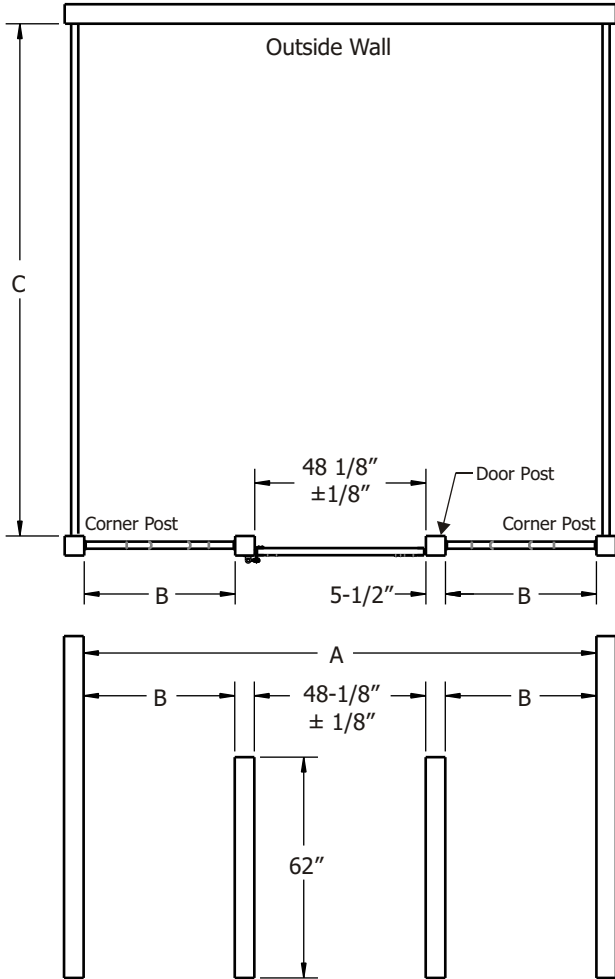
Determine post locations.

Install corner posts first. Maintain A and C distance, per chart. Keep posts plumb and level.

Install door posts to a distance of 48-1/8" ± 1/8". Door opening width should be maintained as close as possible. Posts to be plumb and level.

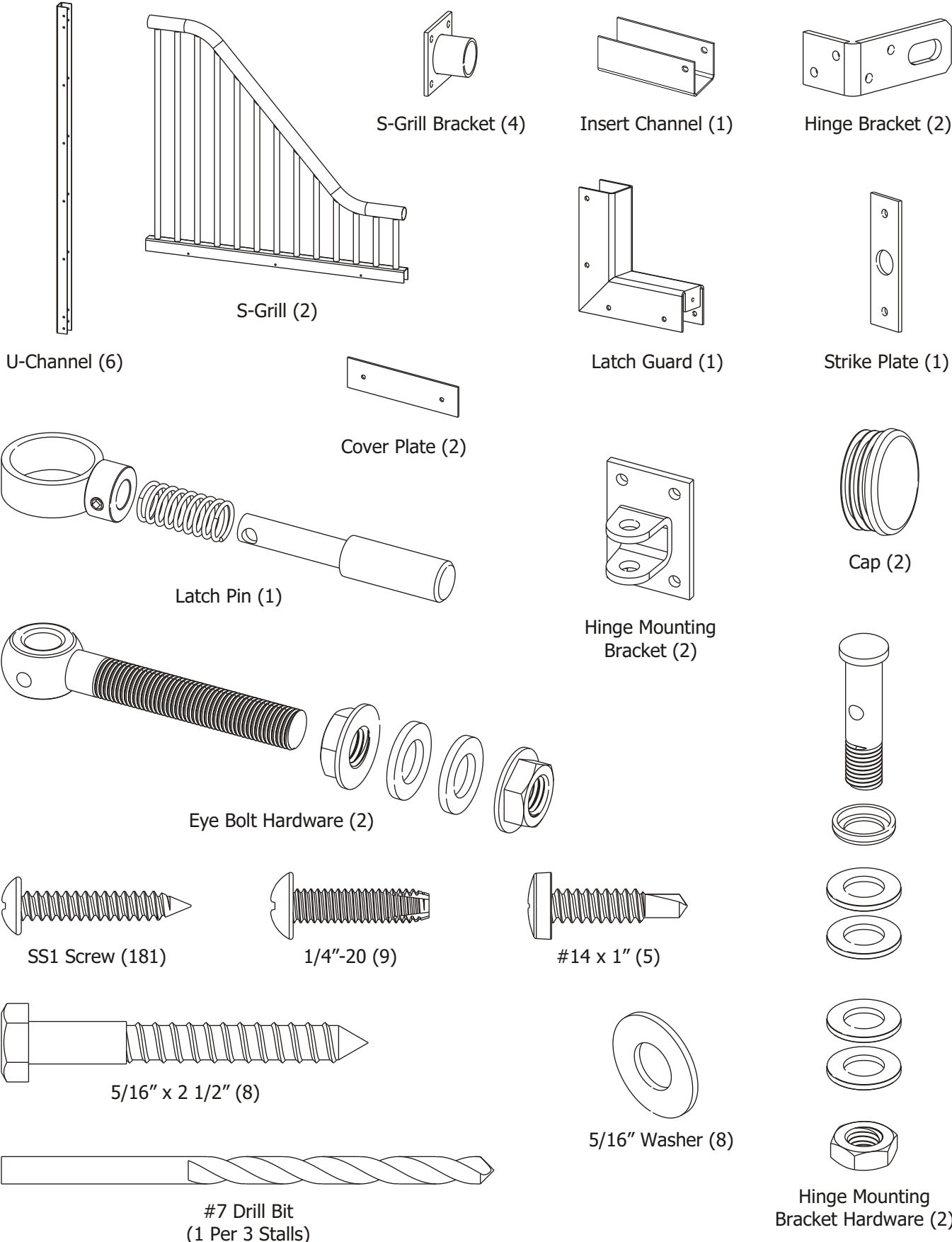
Dimension B should be treated as the variable dimension if a problem with the post location should arise. In this event it may be necessary to cut some of the grill components.

	A	B	C
10' Stall Front (4x4 posts)	120"	32 7/16"	120"
12' Stall Front (6x6 posts)	144"	42 7/16"	144"



*** Door posts to be set in floor or be installed floor to ceiling.**

Part Identification



Side Panel Wood Installation (Horizontal Boards)

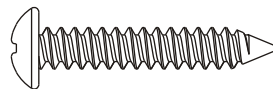
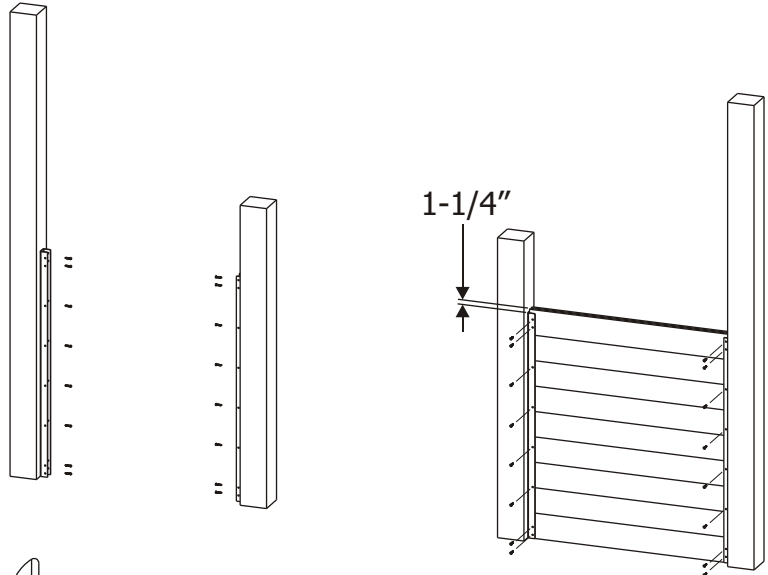
Install U-channels on posts ensuring they are centered on the face and attached with SS1 screws provided. U-channels should be placed $\frac{1}{2}$ " above the floor.

Cut all necessary lumber to a length $\frac{1}{4}$ " to $\frac{3}{8}$ " less than the distance measured between the inside faces of the U-channel.

Slide first board down the U-channels all the way to the floor. Ensure it is level. Secure with screws provided.

Install remaining boards. Top board to be $1\text{-}\frac{1}{4}$ " above the top of the U-channels. Ripping of board may be necessary.

Verify boards are secured with screws provided.



SS1 Screw

Side Panel Wood Installation (Vertical Boards)

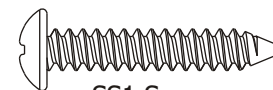
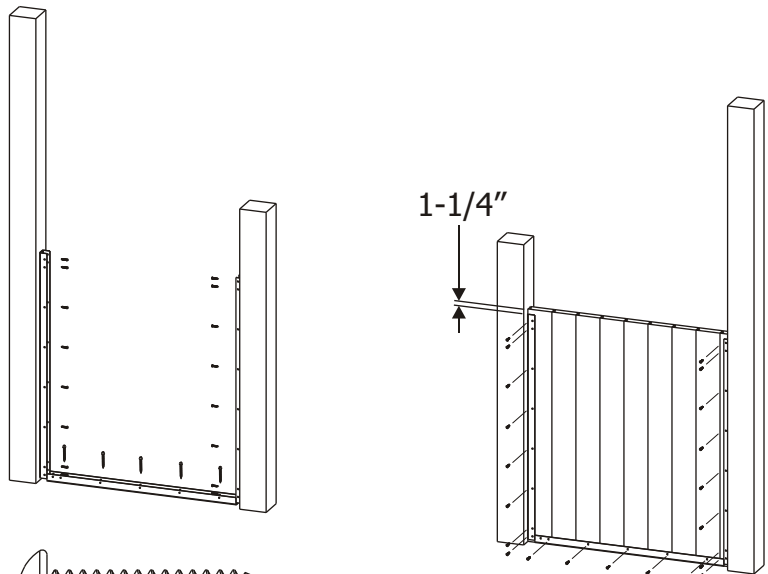
Concrete Floor

Install vertical U-channels on posts ensuring they are centered on the face and attach with SS1 screws provided. U-channels should be placed $\frac{1}{2}$ " above the floor.

Measure between vertical U-channels and cut horizontal U-channel to fit. Attach to concrete floor with $\frac{3}{16}$ " x $2\text{-}\frac{1}{4}$ " concrete screws (not provided).

Cut all necessary lumber to a length of approximately 48". Boards should be approximately $1\text{-}\frac{1}{4}$ " above the top of the U-channel. Insert vertically into channels. Ripping of last board may be necessary. Tongue and groove boards recommended.

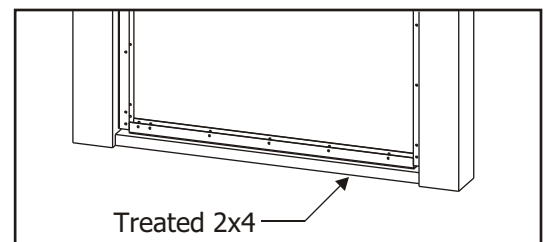
Secure boards with screws provided through holes in channels.



SS1 Screw

Dirt Floor

Measure, cut and fasten a treated 2x4 to fit between posts. (Wood screws not included)
Attach U-channels per directions above except concrete screws are not required.



Grill Installation

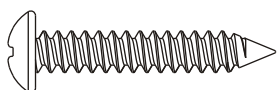
Check fit of grill section. Trim ends if necessary.

Insert S-Grill bracket into both ends of tube.

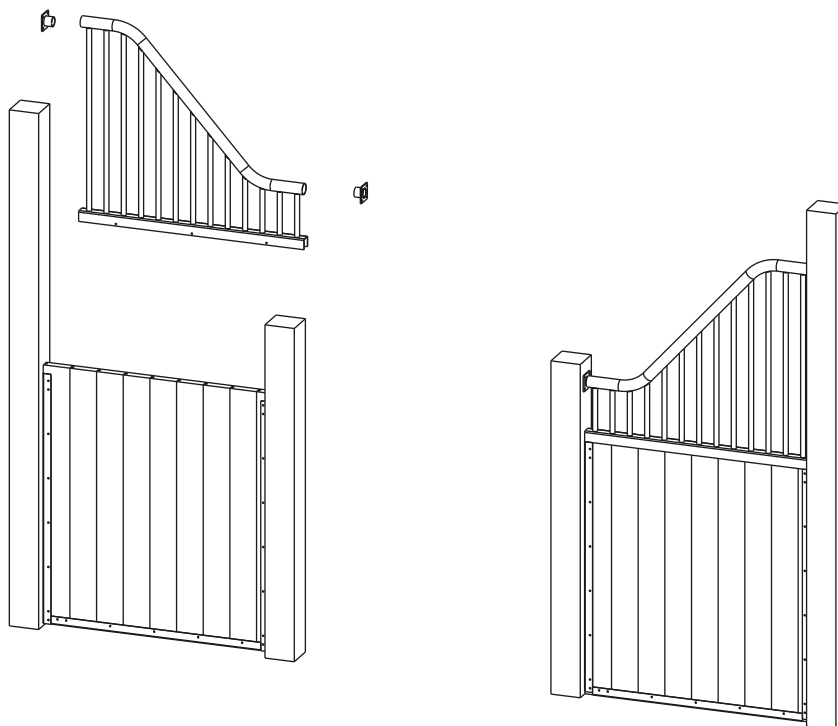
Install grill section flush with top of the U-channels over wood edge.

Plumb grill section and fasten S-Grill brackets to posts with SS1 screws provided.

Fasten bottom channel of S-Grill to wood with SS1 screws provided.



SS1



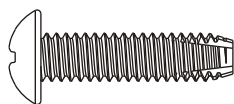
Attach Hinge Brackets to Door

Determine door swing. Depending on which side you attach the hinge brackets will determine which way the door will swing. Cutouts in the bottom channel will be on the inside of the stall.

Locate hinge brackets at 4" and 43-3/4" from bottom of door as shown.

Pre-drill the 4 holes in each hinge bracket using #7 drill bit, provided.

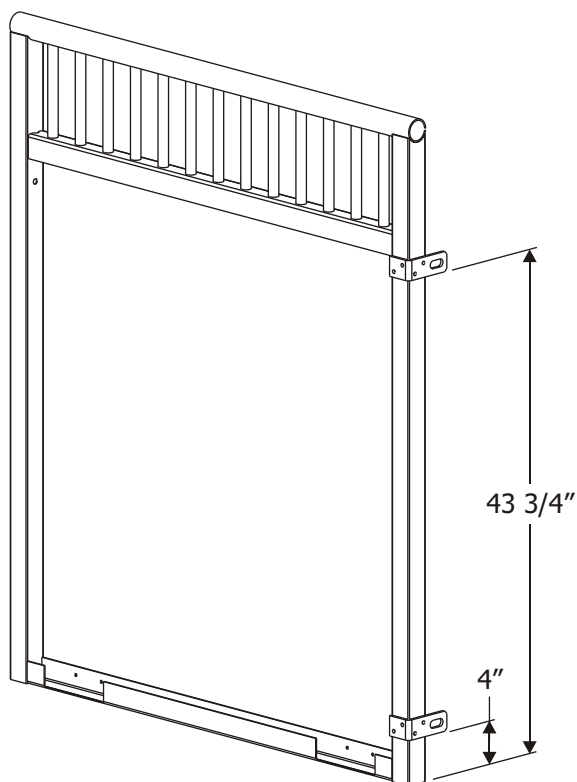
Fasten with 1/4"-20 self-threading screws provided.



1/4"-20



#7 Drill Bit

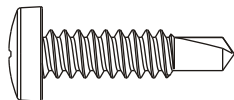


Attach Latch Guard to Door

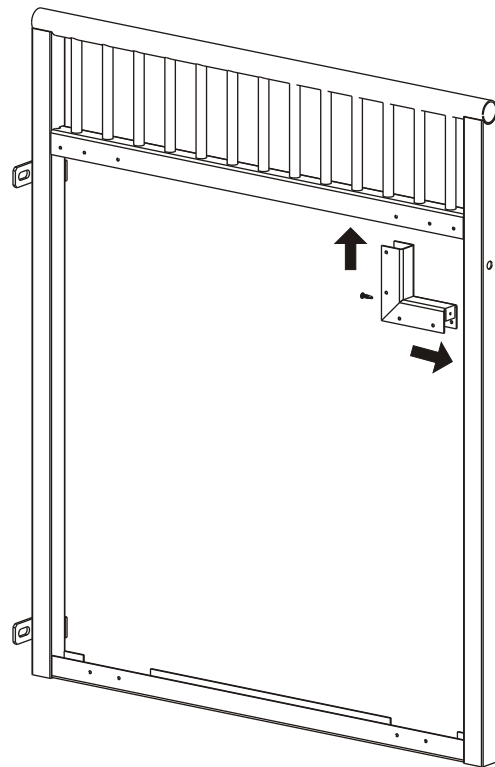
Position latch guard against vertical tube and top channel keeping channels flush and even.

Fasten with provided #14 x 1" drill point screw thru hole in tab and into vertical tube.

NOTE: Latch guard will be fully secured after wood is in stalled.



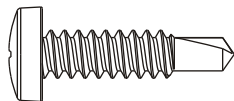
#14 x 1"



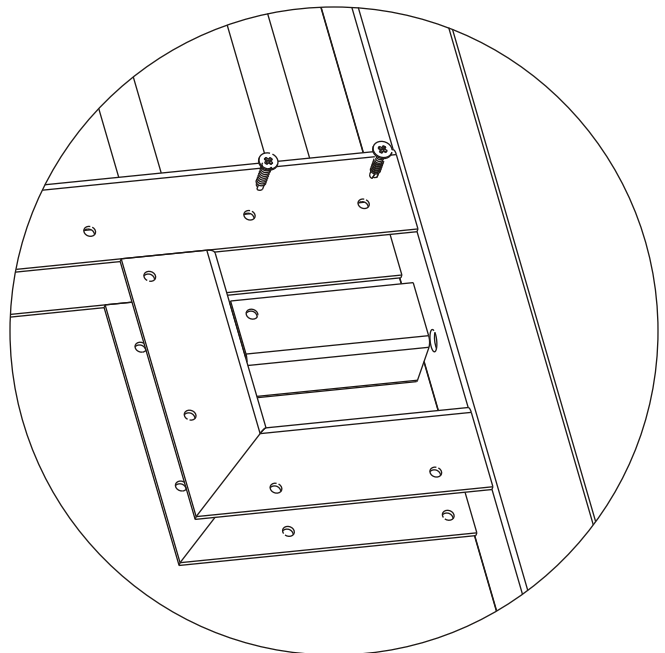
Insert Latch Guard Channel

Slide the Latch Guard Insert channel up into the top channel. The bottom of the insert channel should be flush with the edge of the top channel.

Fasten with provided #14 x 1" drill point screws.



#14 x 1"



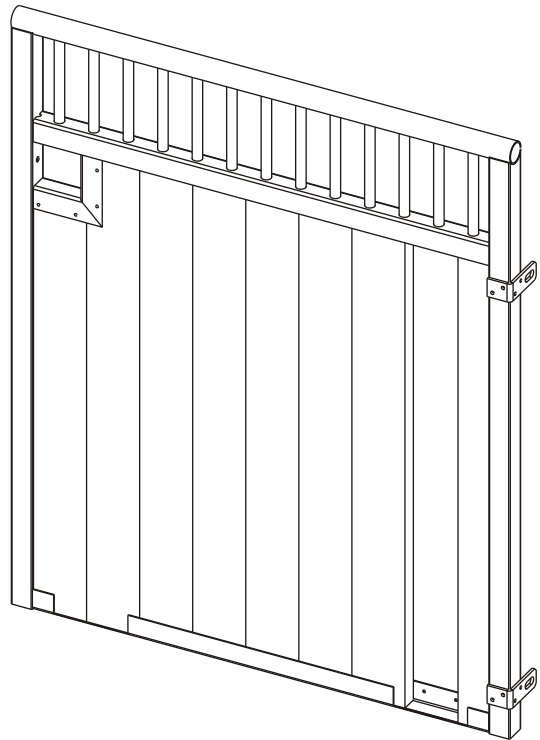
Install Wood in Door

Measure, cut and slide first 2x6 tongue and groove board under latch guard. Notching top of board around tab and screw head may be necessary for board to set flush against vertical tube.

Slide remaining 2x6 tongue and groove boards into channels using a rubber mallet to secure each board into place.

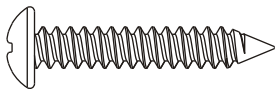
The tongue should be ripped off the last two boards in order to fit the boards into place.

NOTE: The last board may need to be ripped down to fit.

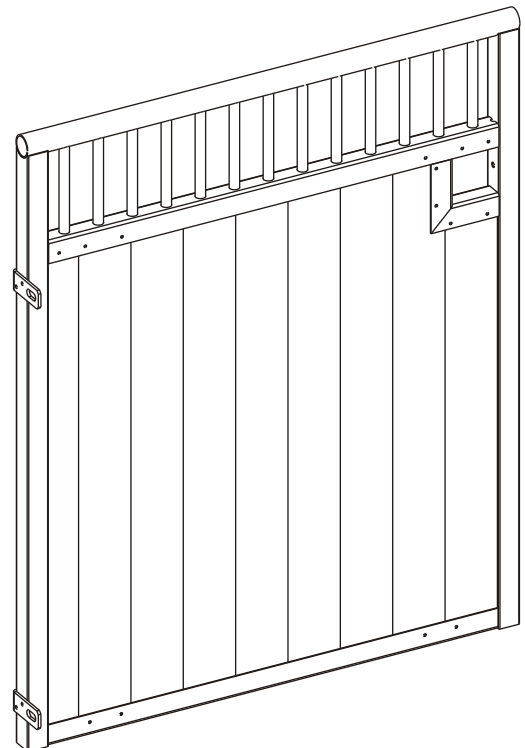


Secure Boards

Secure boards to channels with SS1 screws provided thru all holes in top and bottom channels and latch guard.

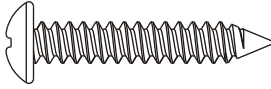


SS1

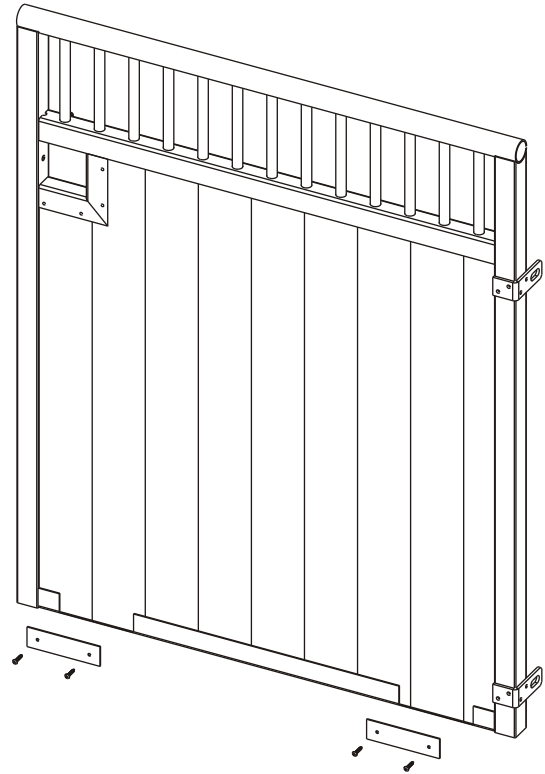


Install Wood Cover Plates

Place wood cover plates over cutouts in bottom channel and fasten with supplied SS1 screws.

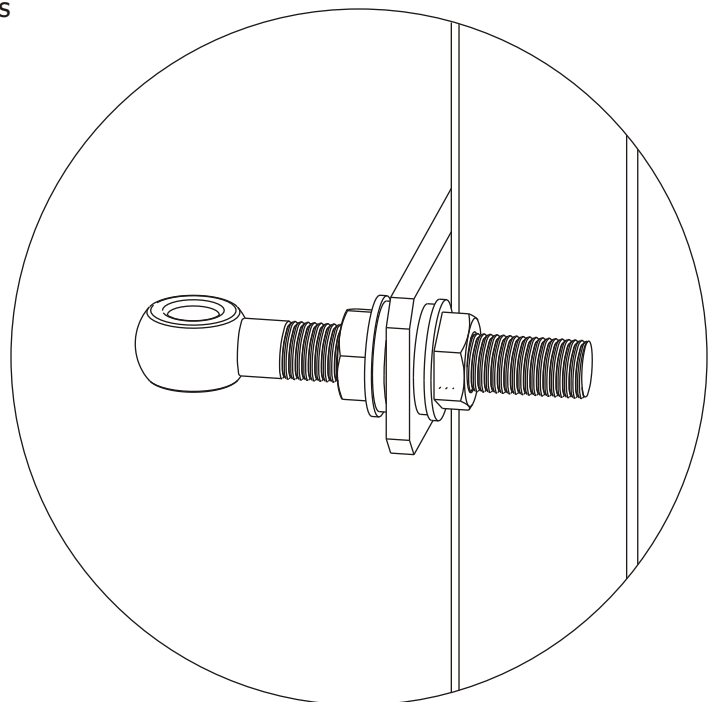


SS1



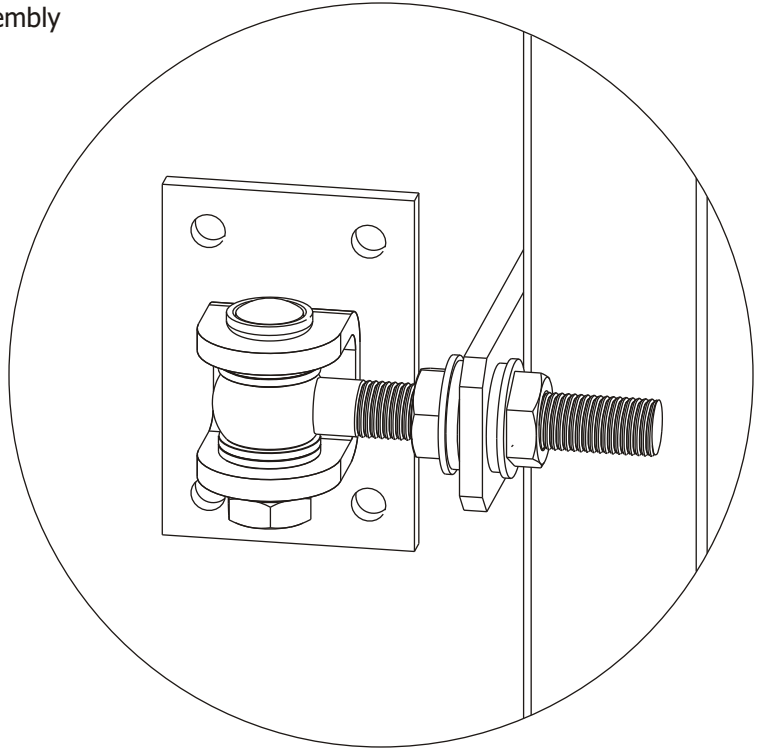
Attach Eye Bolt Assembly

Locate hinge hardware that was shipped with your order. Attach eye bolt assembly to door bracket as shown.



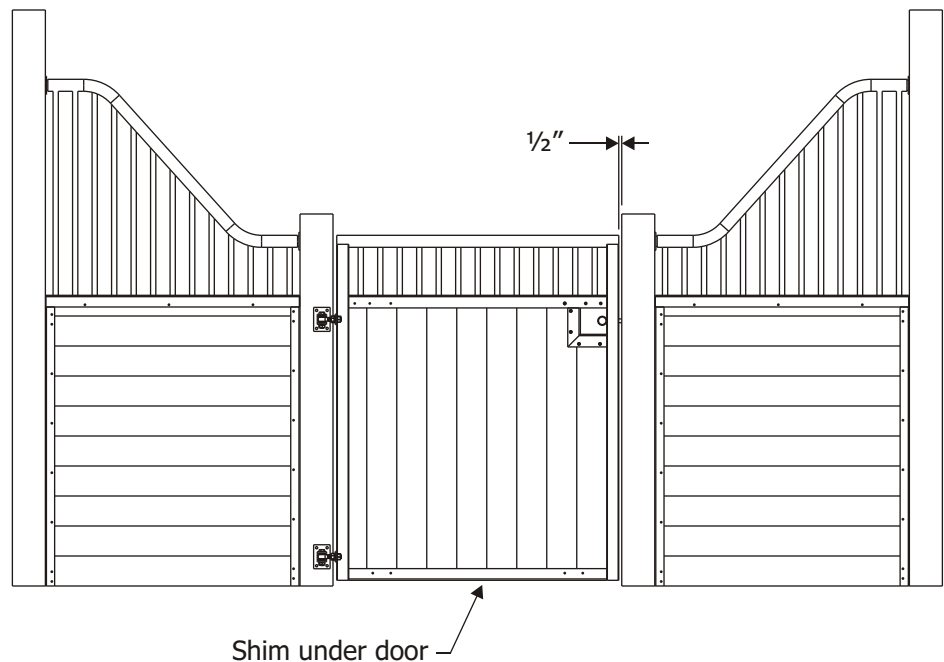
Attach Hinge Mounting Brackets

Attach Hinge Mounting Brackets to eye bolt assembly as shown with remaining bolt hardware.



Position Door in Opening

Position door in opening on temporary shims so top of door is level with side grills. Allow a $\frac{1}{2}$ " gap on latch side of door. Level and plumb door.



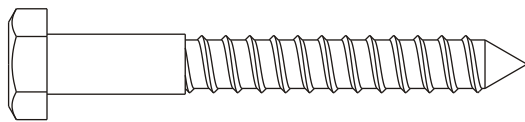
Attach Hinge Mounting Brackets

Position hinge mounting brackets against posts.

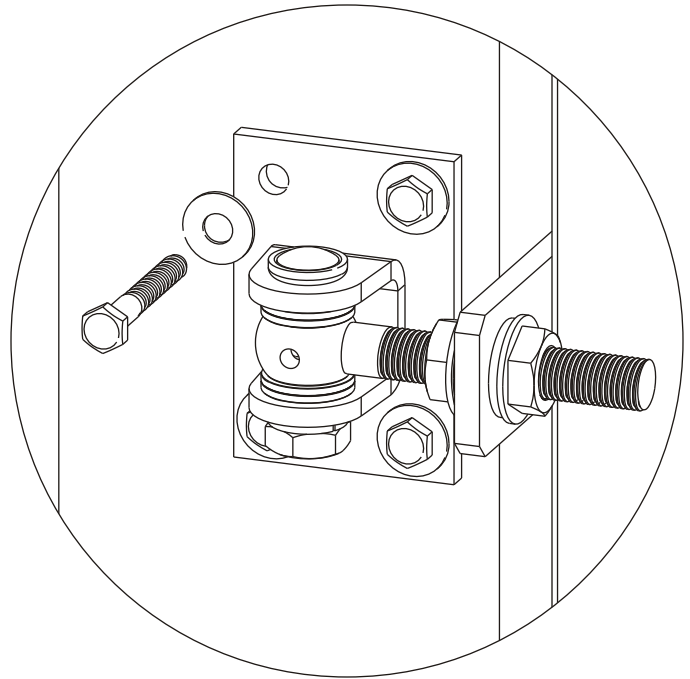
Adjust hinges as necessary.

Fasten bracket to posts with lag screws and washers provided.

After all lags are screwed in, remove temporary shim under door. Make any adjustments to the hinge hardware as necessary and tighten.



5/16" x 2 1/2"

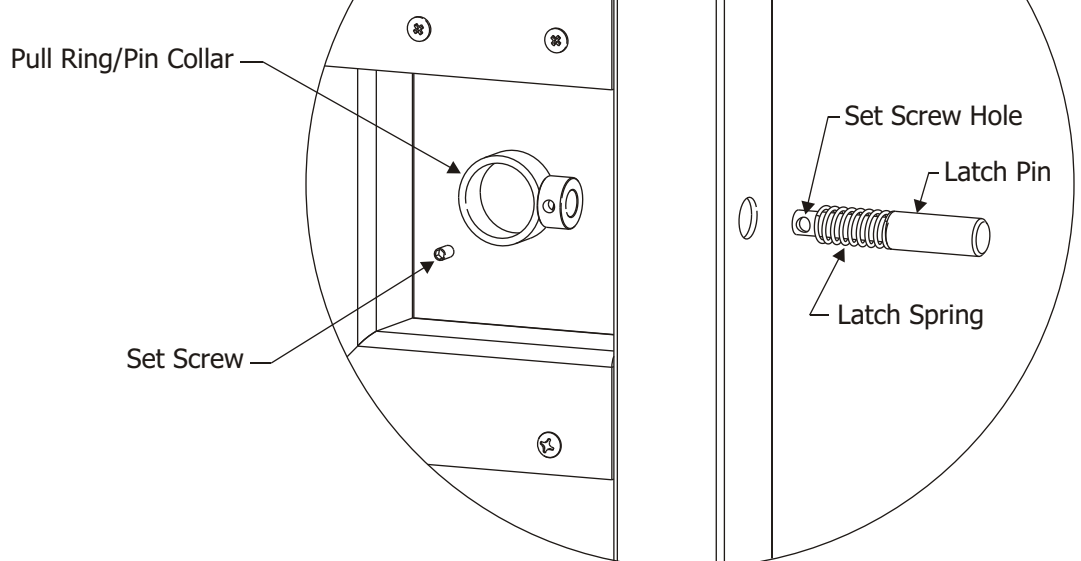


Install Latch Pin

Slide Latch Spring over Latch Pin.

Carefully insert Latch Pin and spring into the door side tube.

Firmly push Latch Pin to compress Latch Spring so Set Screw Hole is extending past tube. Align Set Screw in Pull Ring/Pin Collar with Set Screw hole and firmly secure with allen wrench.



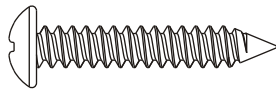
Attach Strike Plate

After door is fully adjusted and Latch Pin installed, close door to desired location. Mark location where Latch Pin strikes the post.

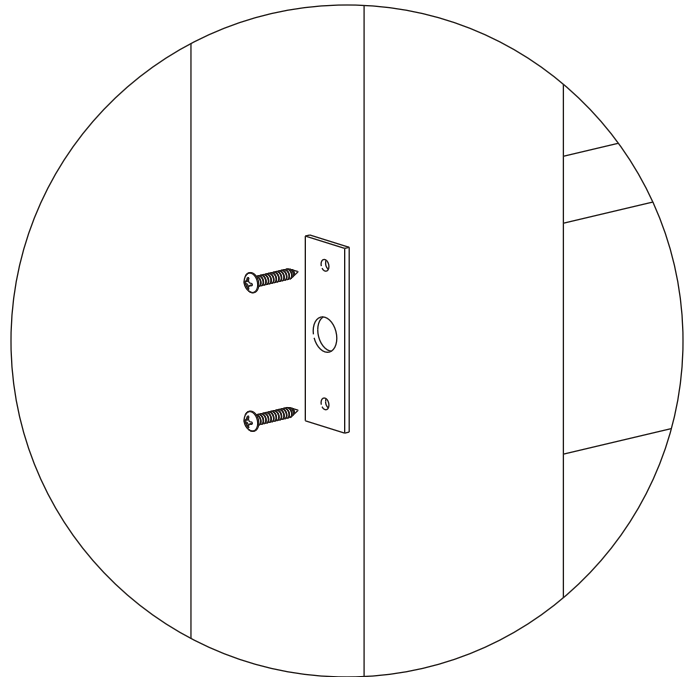
HINT: Use chalk or lipstick dabbed on end of Latch Pin to mark location of hole.

Drill a 3/4" hole at center of marked location at least 1" deep.

Align hole in Strike plate over drilled hole and fasten with SS1 screws provided.



SS1



Insert Caps

Press plastic tube caps onto each end of the door tube.

