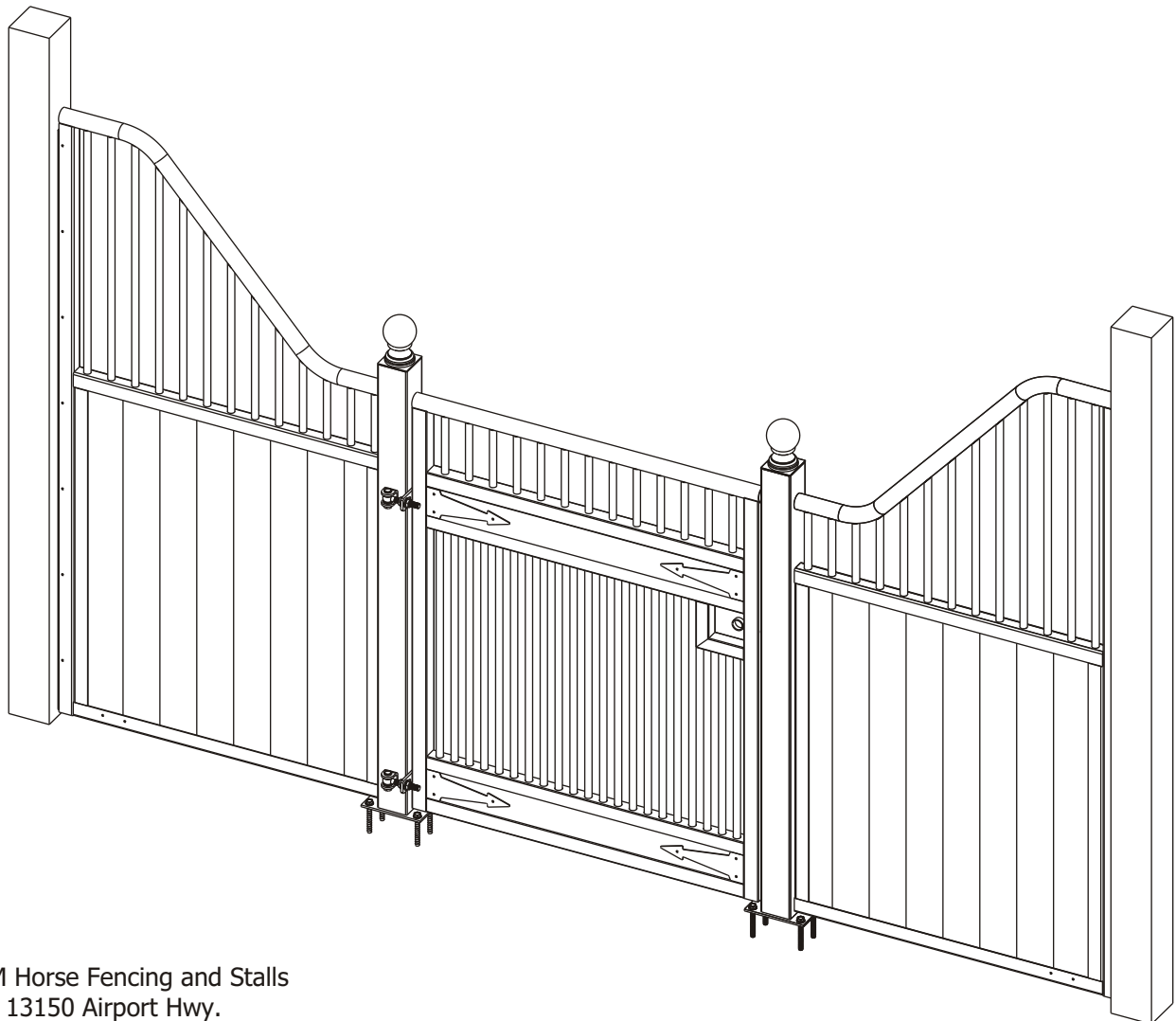




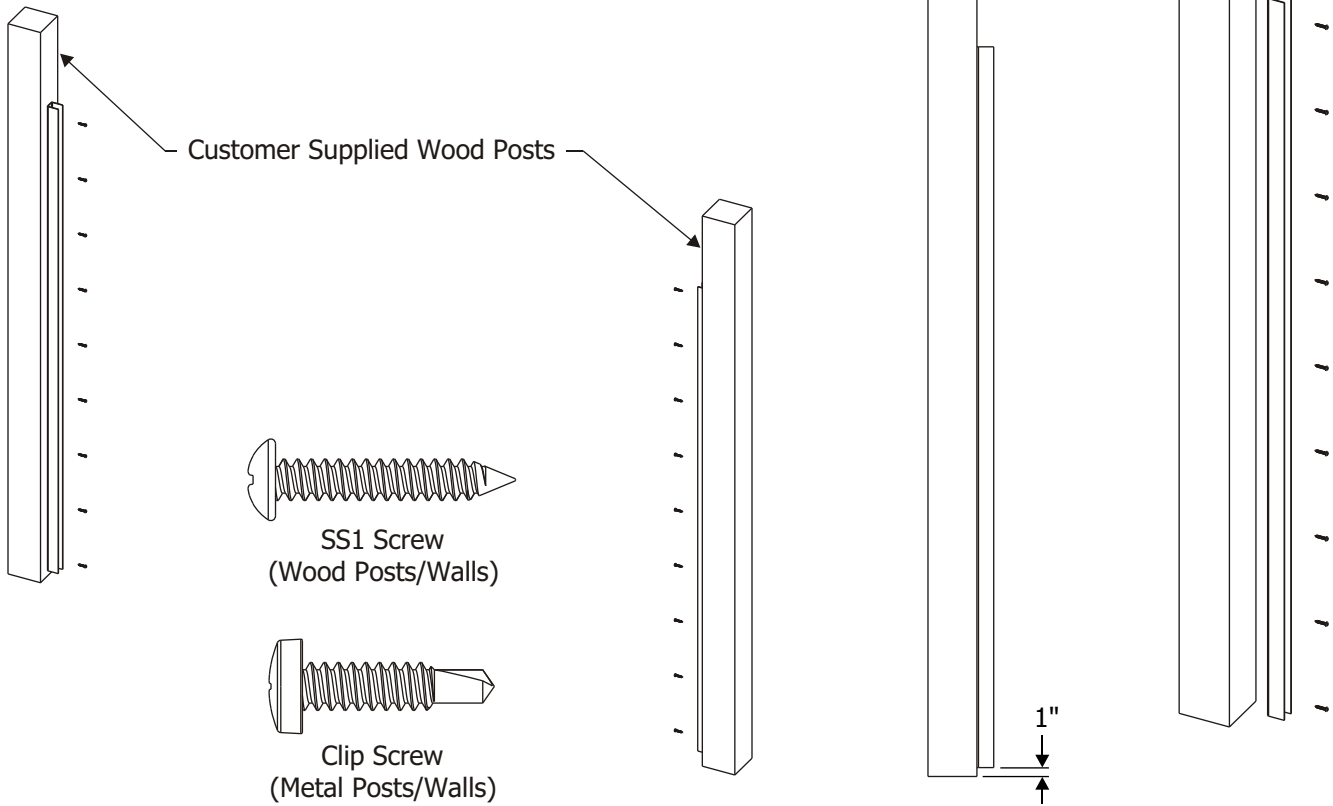
# Tuscany Stall Front

## Installation Instructions



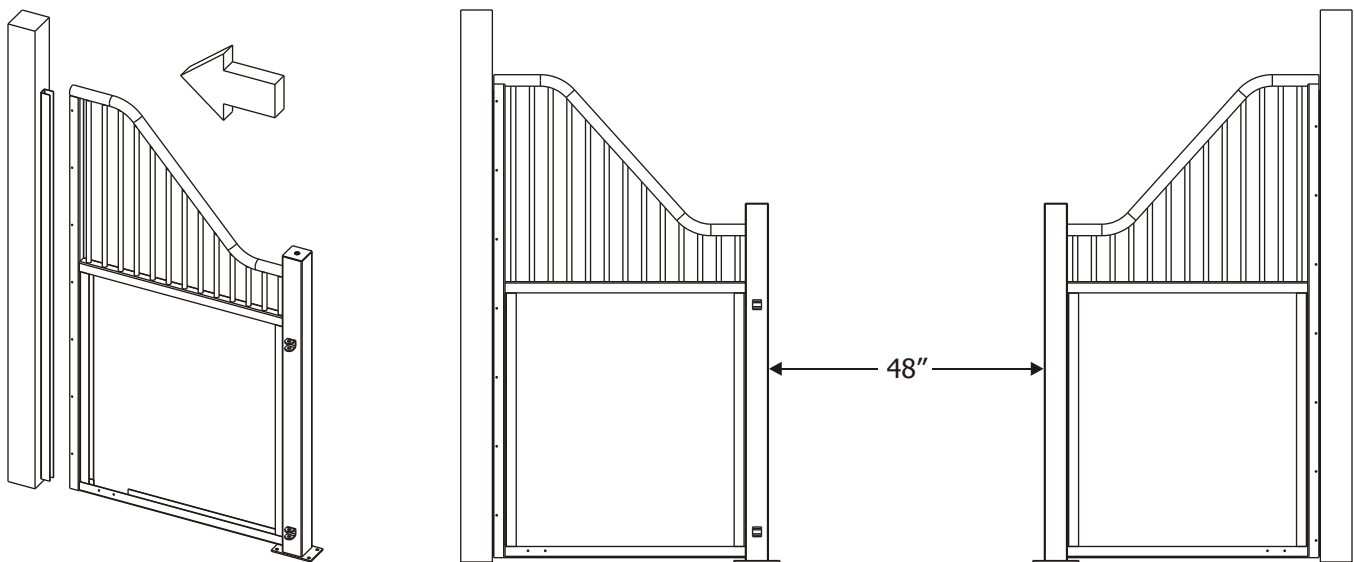
# Attach Insert Channels to Posts/Walls

Place insert channel against post/wall 1" from the floor. Plumb and level insert channel. Attach with supplied screws through holes in insert channel. (Note: if you are attaching to a concrete surface, 1/4" Tapcons may be used as a substitute fastener.)



# Slide Panels onto Insert Channels

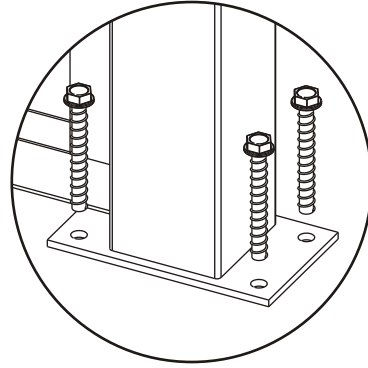
Slide the right and left Tuscan stall front panels over the insert channels and adjust the width between the door posts to achieve 48".



## Anchor Panels

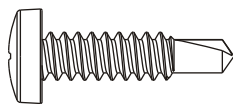
Anchor side panels to floor through holes in the door post footplate using supplied concrete anchors.

Pilot holes for the anchors should be  $7/16''$  diameter and  $5\ 1/4''$  deep ( $1/4''$  deeper than anchor).

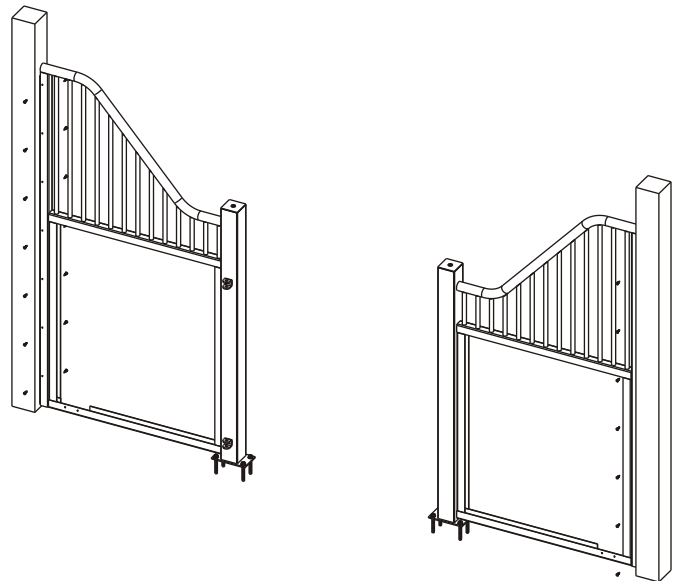


## Fasten to Insert Channel

Fasten side panels to the insert channels using supplied "Clip Screws" through holes in side panel. It is recommended to pre-drill  $1/8''$  dia. holes at each hole location.



Clip Screw



## Install Boards into Stall Fronts

2 x 6 tongue and groove boards are recommended.

Cut boards to length to fit inside the channels (approx. 47").

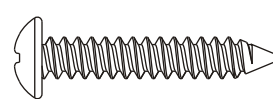
Slide boards into channels using a rubber mallet to secure each board into place.

The tongue should be ripped off the last two boards in order to fit into place.

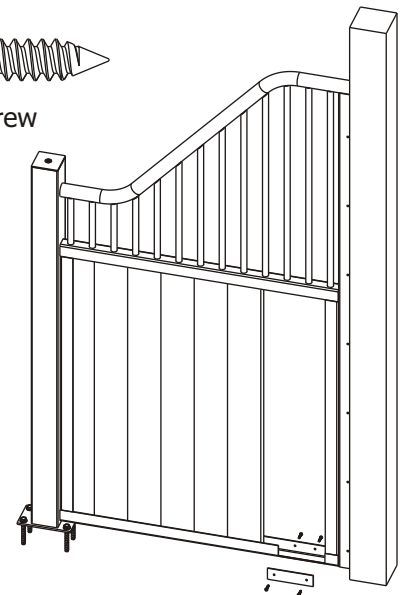
NOTE: The last board may need to be ripped down to fit.

Fasten the last two boards in place from the front side using supplied SS1 screws through holes in the bottom channel.

Place the wood cover plate over the cutout in the bottom channel on the back of each stall front panel and fasten to boards with supplied SS1 screws.



SS1 Screw



# Install Wood into Door

2 x 6 tongue and groove boards are recommended.

## Wood Doors with Arrows:

Cut boards to length and slide into channels using a rubber mallet to secure into place.

The tongue and groove should be ripped off the last two boards in order to fit into place.

NOTE: The last board may need to be ripped down to fit.

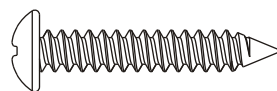
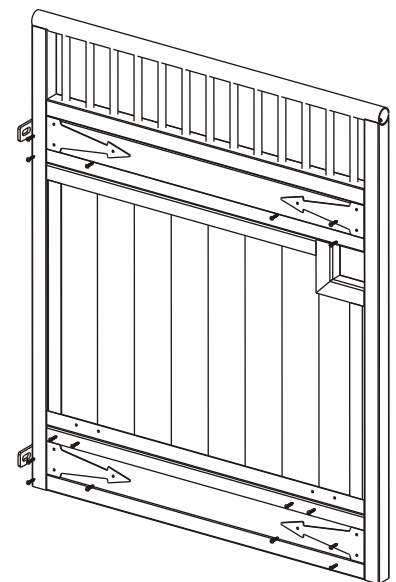
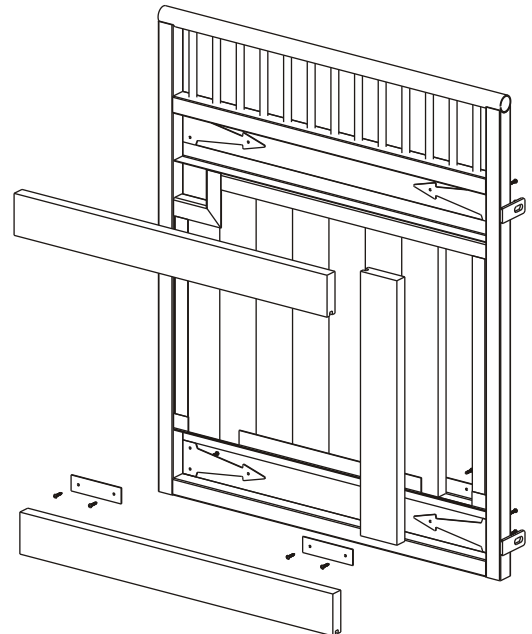
Fasten boards into place from the front using supplied SS1 screws through holes in channel.

Place wood cover plate over cutout in the bottom channel on the back of each door and fasten with supplied SS1 screws.

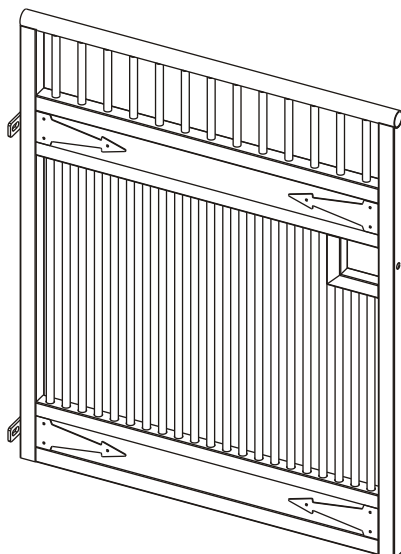
Cut horizontal boards to length and fit into "arrow" openings.

Fasten with SS1 screws through holes in "arrows" in front of door.

NOTE: Drilling pilot holes in boards will reduce splitting.



SS1 Screw



## Grilled Doors with Arrows:

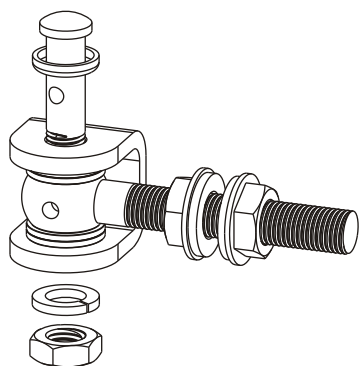
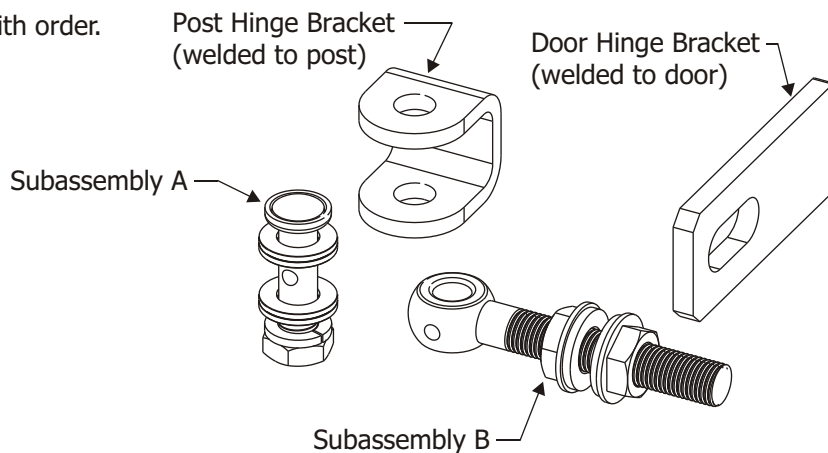
Cut horizontal boards to length and fit into "arrow" openings.

Fasten with SS1 screws through holes in "arrows" in front of door.

NOTE: Drilling pilot holes in boards will reduce splitting.

# Attach Hinges

Locate hinge hardware that was shipped with order.

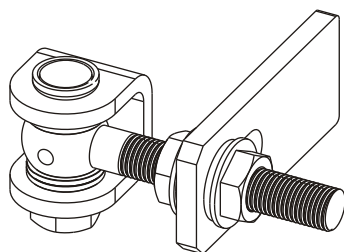
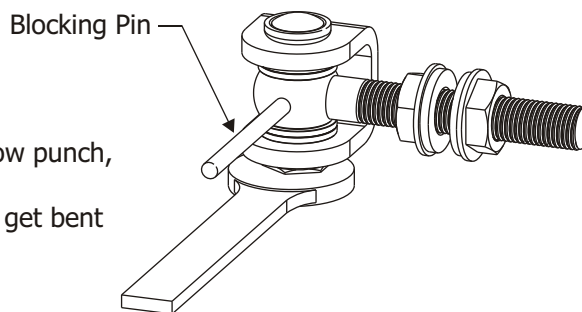


Attach hinge assembly to post hinge bracket as shown.

Using a wrench and "blocking pin", tighten nut.

The "blocking pin" (not supplied) can be a narrow punch, screwdriver or heavy nail.

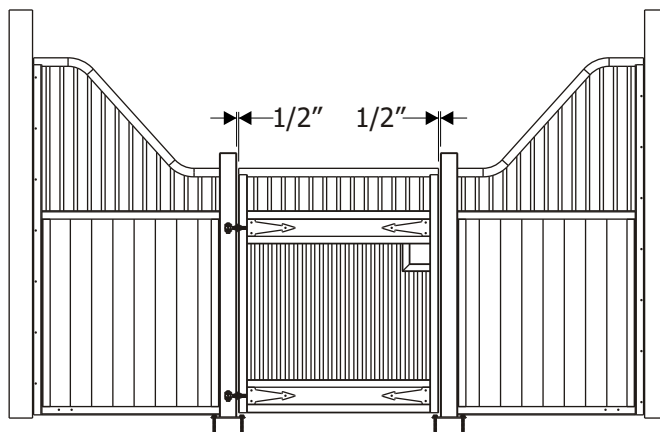
Note: The item used as the "blocking pin" may get bent during tightening.



Remove nut and washer on Subassembly B.

Slide door onto Subassembly B and attach washer and nut.

Adjust hinges to achieve approximately 1/2" equal spacing on both sides of door.



## Install Latch Pin

Slide Latch Spring over Latch Pin.

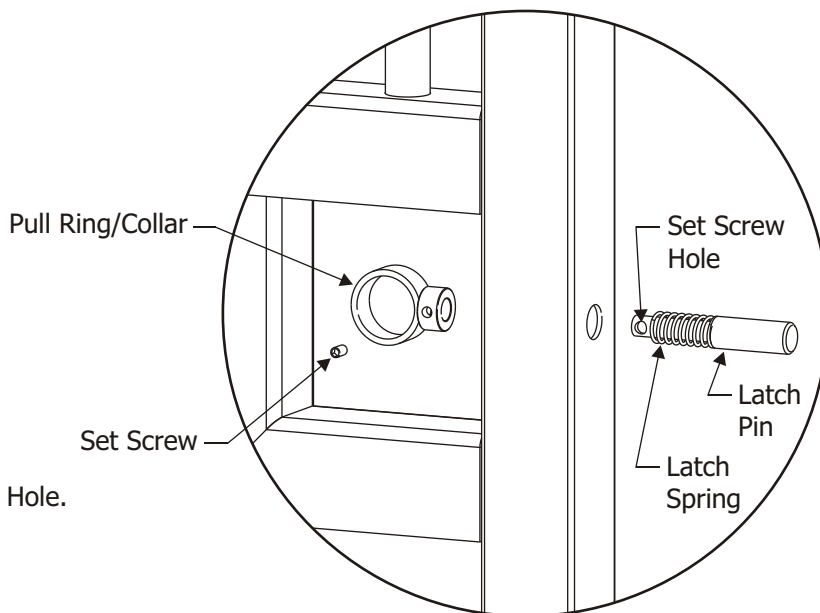
Carefully insert Latch Pin and spring into the door tube.

Firmly push latch Pin to compress Latch Spring. Slide Pull Ring/Collar over Latch Pin aligning set screw in collar with Set Screw Hole in Latch Pin.

Using an allen wrench, firmly secure set screw into set screw hole.

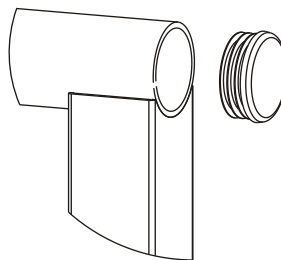


**IMPORTANT:**  
Set Screw must seat into Set Screw Hole.



## Insert Caps

Press plastic tube caps onto each end of the door tube.



## Finials (Optional)

All Tuscany door posts come with threaded inserts so customers can add finials at any time.

Thread finial studs onto finial and twist until finial stud bottoms out.

Thread finials and studs onto door posts until finials are snug and secure to top of door post.

